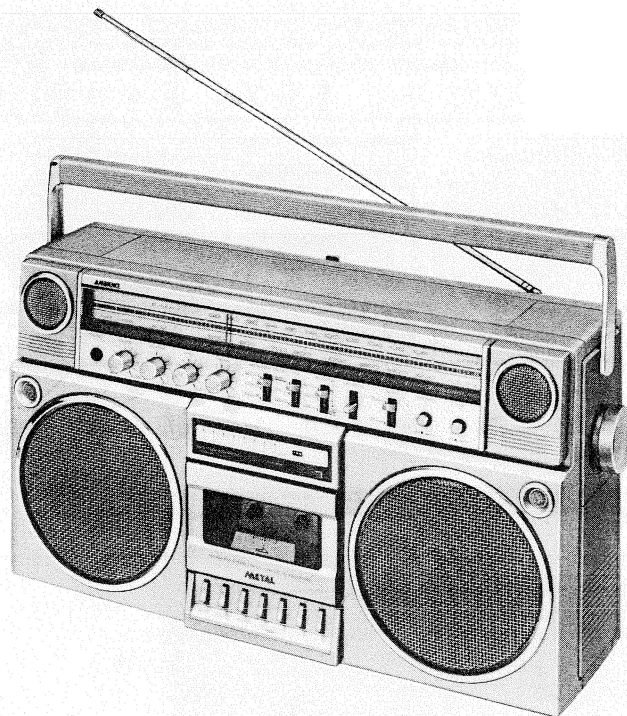


Service Manual

Radio Cassette

RX-5150/©

FM/AM/FM STEREO RADIO CASSETTE



■ SPECIFICATIONS

General:

Power Source: AC 100~110/115~127/200~220/
230~250V 50/60Hz or 12V
(Eight "D" size dry Batteries)
(Panasonic UM-1 or equivalent)
Car/boat battery: with Optional
Car/boat adaptor, RP-952

Power Consumption: 22W

Power Output: 15W (7.5W x 2)

Speakers: woofer: 16cm (6 $\frac{1}{2}$ ") PM Dynamic
speaker 3 Ω
Tweeter: 3cm (1 $\frac{1}{4}$ ") Ceramic
speaker 200 Ω

Input: MIC: sensitivity 0.25mV microphone
impedance 200~600 Ω
LINE IN: sensitivity
200mV impedance 47k Ω
LINE OUT: standard output 420mV
impedance 10k Ω
EXT SP: impedance 3~8 Ω
HEADPHONES: impedance 8 Ω

Dimensions: 504(W) x 281(H) x 175(D)mm
(19 $\frac{7}{8}$ " x 11 $\frac{1}{16}$ " x 6 $\frac{7}{8}$ ")
5.9kg (13 lb) without battery

Weight:

Radio Section:

Frequency Range: FM: 88~108MHz
AM: 525~1610kHz

Intermediate Frequency: FM: 10.7MHz
AM: 455kHz

Sensitivity: FM: 2.6 μ V for 50mW output
AM: 50 μ V/m for 50mW output

Tape Deck Section:

Frequency Response: 50~12,000 Hz (Normal)
50~14,000 Hz (CrO₂)
50~16,000 Hz (Metal)

Wow and Flutter: 0.05% (WRMS)

Motor: Electrical governor motor

Recording System: AC bias

Erasing System: AC erase

Track System: 4-track 2-channel stereo recording
and playback

Tape Speed: 4.8cm/sec (1 $\frac{7}{8}$ ips)

Program Time: 1 hour with C-60 cassette tape

Specifications are subject to change without notice.
Weights and dimensions shows are approximate.
(Les poids et dimensions mentionnes sont approximatifs.)

Panasonic®

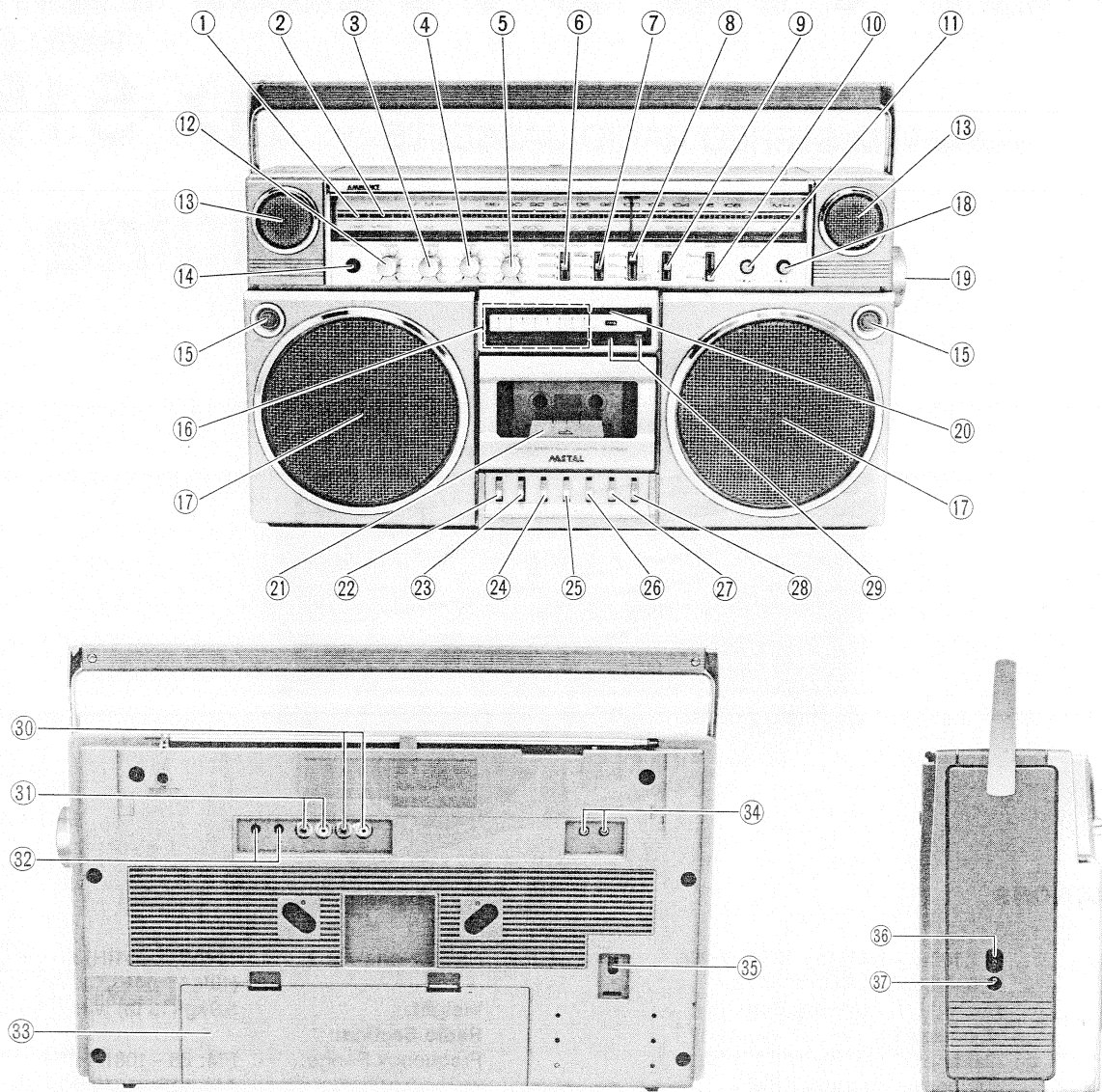
Panasonic Company
Division of Matsushita Electric
Corporation of America
One Panasonic Way, Secaucus,
New Jersey 07094

Panasonic Hawaii, Inc.
320 Waiakamilo Road, Honolulu,
Hawaii 96817

Panasonic Canada
Division of Matsushita Electric
of Canada Limited
5770 Ambler Drive, Mississauga,
Ontario, L4W 2T3

Panasonic Sales Company,
Division of Matsushita Electric
of Puerto Rico, Inc.
Ave. 65 De Infanteria, KM 9.7
Victoria Industrial Park
Carolina, Puerto Rico 00630

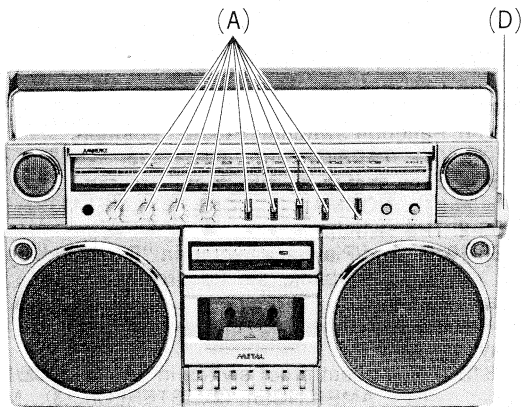
LOCATION OF CONTROLS AND COMPONENTS



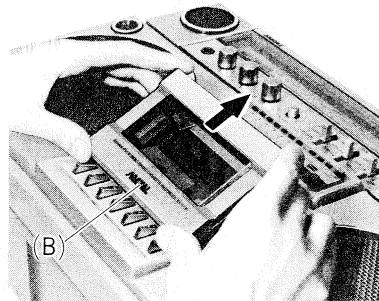
[Fig. 1]

- | | |
|---|--|
| ① FM Stereo Indicator (FM STEREO) | ②① Cassette Compartment |
| ② Power Indicator (POWER) | ②② Eject Button (▲ EJECT) |
| ③ Balance Control (BALANCE) | ②③ Record Button (○ [REWIND]) |
| ④ Bass Control (BASS) | ②④ Rewind Button (◀◀ REWIND) |
| ⑤ Treble Control (TREBLE) | ②⑤ Fast Forward Button (▶▶ FF) |
| ⑥ Mode Selector/Beat Proof Switch (MONO/II, STEREO/II, AMBIENCE/II) | ②⑥ Playback Button (▶ PLAY) |
| ⑦ Tape Selector (NORMAL/CrO ₂ /METAL) | ②⑦ Stop Button (■ STOP) |
| ⑧ Function Selector (TAPE/RADIO/LINE IN) | ②⑧ Pause Button (PUUSE) |
| ⑨ Record Muting Button (REC MUTE) | ②⑨ Tape Counter and Reset Button (COUNTER) |
| ⑩ Band Selector (AM/FM) | ③① Line Output Jacks (LINE OUT) 420 mV (10 kΩ) |
| ⑪ Loudness Switch (LOUDNESS) | ③② Line Input Jacks (LINE IN) 200 mV (47 kΩ) |
| ⑫ Volume Control (VOLUME) | ③③ Microphone Jacks (MIC) 0.25 mV |
| ⑬ Tweeters [3cm (1¼") 200Ω] | ③④ Battery Compartment |
| ⑭ Headphones Jack (8Ω) | ③⑤ External Speaker Jacks (EXT SP3 ~ 8Ω) |
| ⑮ Built-in Microphones (MIC) | ③⑥ Voltage Selector (VOLTAGE SELECTOR) |
| ⑯ LED Meter (LEVEL) | ③⑦ AC Socket (AC IN ~) |
| ⑰ Woofers [16cm (6½") 3Ω] | ③⑧ DC Input Jack (DC IN 13.2 V ⊖ ⊕) |
| ⑱ Tape Program Sensor (TPS) Switch | |
| ⑲ Tuning Control | |
| ⑳ Tape Program Sensing (TPS) Indicator | |

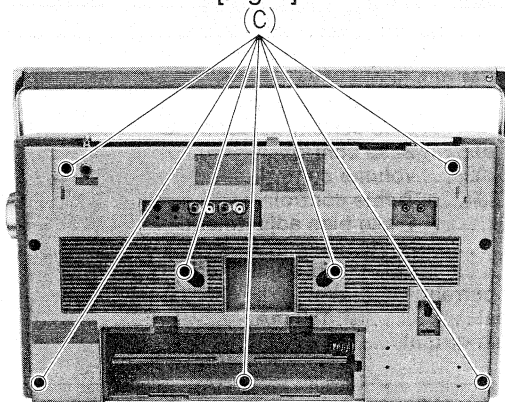
DISASSEMBLY INSTRUCTION



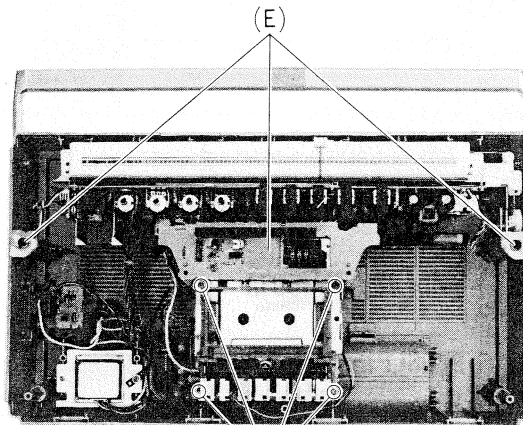
[Fig. 2]



[Fig. 3]



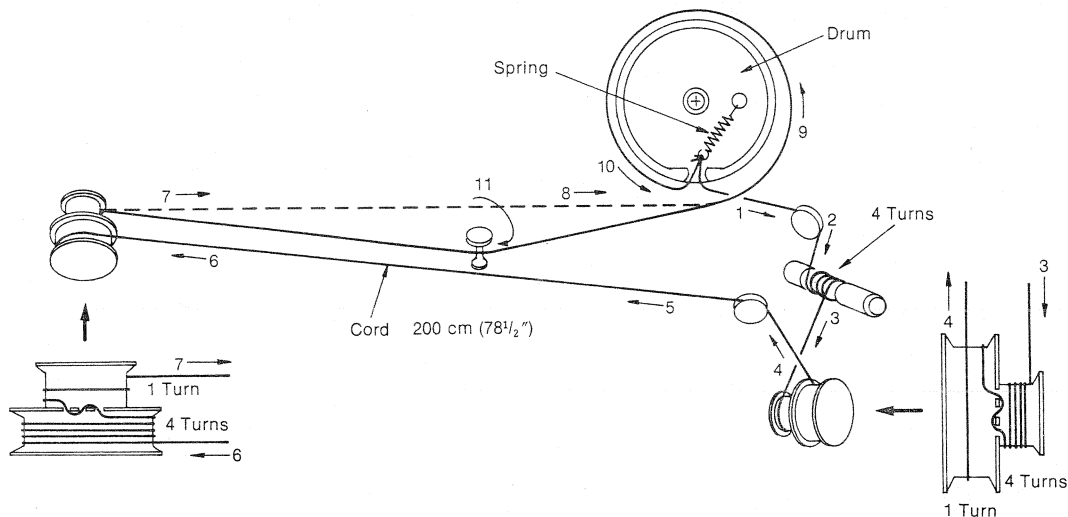
[Fig. 4]



[Fig. 5]

Procedure	To remove — .	Remove — .	Shown in Fig. — .
1	Front Cabinet	Knobs (A) x 9	2
2		Cassette Panel (B) x 1	3
3		Screws (3 x 50) (C) x 7	4
4	Circuit Board	Knob (D) x 1	2
5		Mic & LED Circuit Board (E) x 3	5
6	Mechanism	Screws (3 x 12) (F) x 4	5

DIAL THREADING



[Fig. 6]

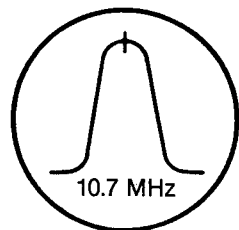
ALIGNMENTS

ALIGNMENTS INSTRUCTION

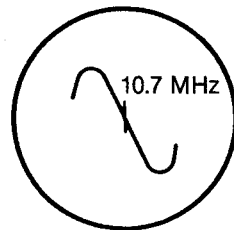
READ CAREFULLY BEFORE ATTEMPTING ALIGNMENT						
1. Set volume control to maximum.		5. Set power source voltage to 12 volts DC.				
2. Set bass and treble control to center.		6. Output of signal generator should be no higher than necessary to obtain an output reading.				
3. Set band switch to AM or FM.						
4. Set function selector to radio.						
SIGNAL GENERATOR or SWEEP GENERATOR		RADIO DIAL SETTING [DISTANCE]	INDICATOR (ELECTRONICS VOLTMETER or SCOPE)	ADJUSTMENT	REMARKS	
CONNECTIONS	FREQUENCY					
AM ALIGNMENT						
(1)	Fashion loop of several turns of wire and radiate signal into loop of receiver.	455 kHz 30% Mode. with 400 Hz.	Point of non-interference. (on/about 600 kHz)	Output meter across speaker voice coil.	T ₂ (1st IFT) T ₃ (2nd IFT)	Adjust for maximum output.
(2)	"	550 kHz	550 kHz [19.7 mm (²⁵ / ₃₂ ")]	"	L ₂ (OSC Coil) (* 1)L ₁ (ANT Coil)	Adjust for maximum output. Adjust L ₁ by moving coil bobbin along ferrite core.
(3)	"	1500 kHz	1500 kHz [179.9 mm (7")]	"	C ₁₅ (OSC Trimmer) C ₁₅ (ANT Trimmer)	Adjust for maximum output. Repeat steps (2) and (3).
(* 1) Cement antenna bobbin with wax after completing alignment.						
FM-IF ALIGNMENT						
(4)	Connect to test point ▼ through 0.001μF. Negative side to test point ▼.	10.7 MHz (400 kHz SWP.)	Point of non-interference. (on/about 90 MHz).	Connect vert. amp. of scope to test point ▼. Negative side to test point ▼.	T ₁ (1st FM IFT) (Primary)	Adjust for maximum amplitude. (Refer to fig. 7.)
(5)	"	"	"	"	T ₄ (2nd FM IFT) (Secondary)	Adjust for maximum amplitude (Refer to fig. 8.)
FM-RF ALIGNMENT						
(6)	Connect to test point ▼ through FM dummy antenna. Negative side to test point ▼. (Refer to fig. 9).	90 MHz	90 MHz [24.7 mm (³¹ / ₃₂ ")]	Output meter across speaker voice coil.	L ₄ (FM OSC Coil) L ₃ (FM TUNE Coil)	Adjust for maximum output.
(7)	"	106 MHz	106 MHz [167 mm (⁶⁹ / ₁₆ ")]	"	C ₃ (FM OSC Trimmer) C ₄ (FM TUNE Trimmer)	Adjust for maximum output. Repeat steps (6) and (7).

SEPARATION ALIGNMENT

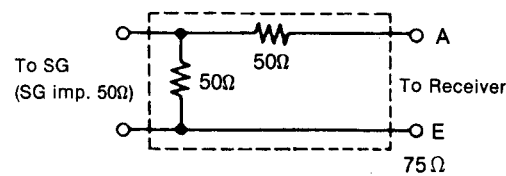
ITEM	FM SIGNAL GENERATOR SOURCE CONNECTION	EQUIPMENT CONNECTION ELECTRONIC COUNTER	ADJUSTMENT	SPECIFICATION	REMARKS
Adjustment of pilot signal.	90MHz, 60dB	▼...(+) side ▼...(-) side	VR ₁	19 kHz	Adjust VR ₁ for 19 kHz (± 200 Hz) reading on electronics counter.



[Fig. 7]



[Fig. 8]

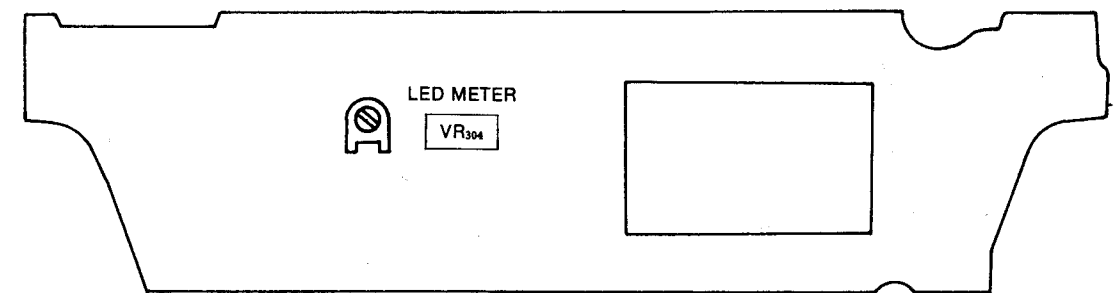
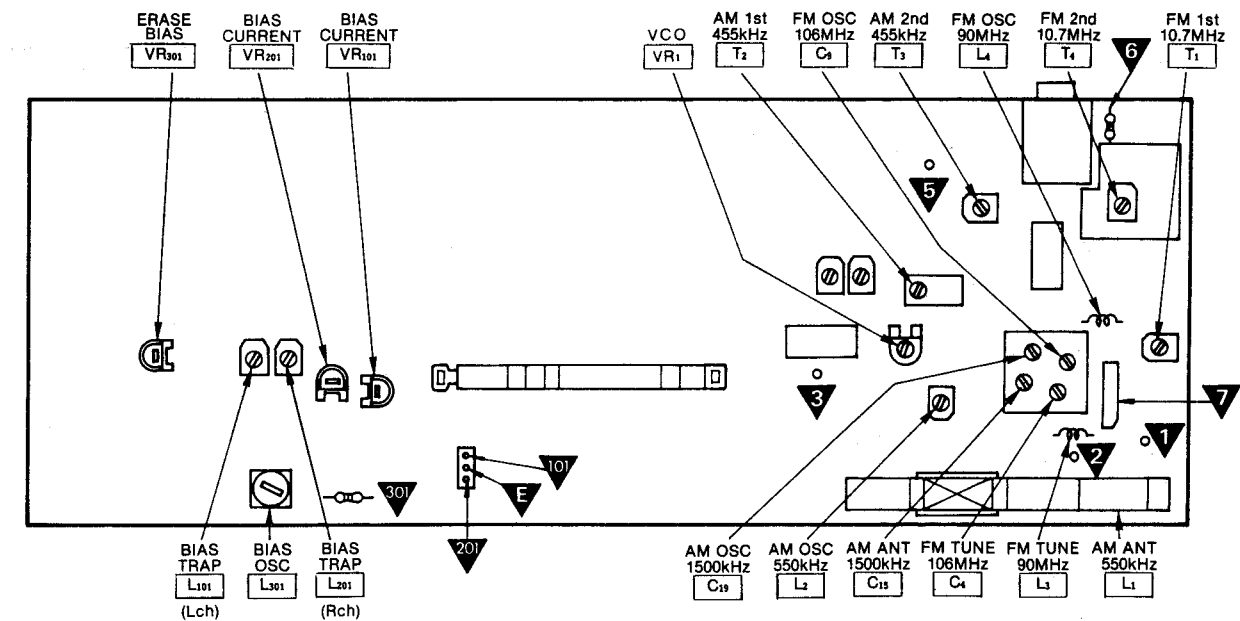


[Fig. 9] FM Dummy Antenna

AUDIO ADJUSTMENT

ITEM	INPUT	MEASUREMENT POINT	SPECIFICATION	ADJUSTMENT POINT	REMARKS
Azimuth	QZZCFM (8 kHz, -20 dB)	EXT SP	Maximum output	Azimuth screw	Playback mode
LED meter	QZZCFM (315 Hz, 0 dB)	LED meter	—	VR ₃₀₄	Adjust VR ₃₀₄ so that the 2nd LED from right begins to fade out.
Bias oscillation frequency	—	▼... (Lch) ▼... (Rch) ▼... (-)	67 ± 0.5 kHz	L ₃₀₁	Record mode Beat proof switch...II Tape selector...Metal
Erase bias	Use metal tape	▼... (+) ▼... (-)	140 + 10 mV -7	VR ₃₀₁	Record mode Beat proof switch...I Tape selector...Metal
Bias trap	—	▼... (Lch) ▼... (Rch) ▼... (-)	0 ± 0.5 dB	L ₁₀₁ (Lch) L ₂₀₁ (Rch)	Record mode. Beat proof switch...I - II
Bias current	Use metal tape	▼... (Lch) ▼... (Rch) ▼... (-)	Metal 8 ± 0.3 mV	VR ₁₀₁ (Lch) VR ₂₀₁ (Rch)	Record mode

ALIGNMENT POINTS



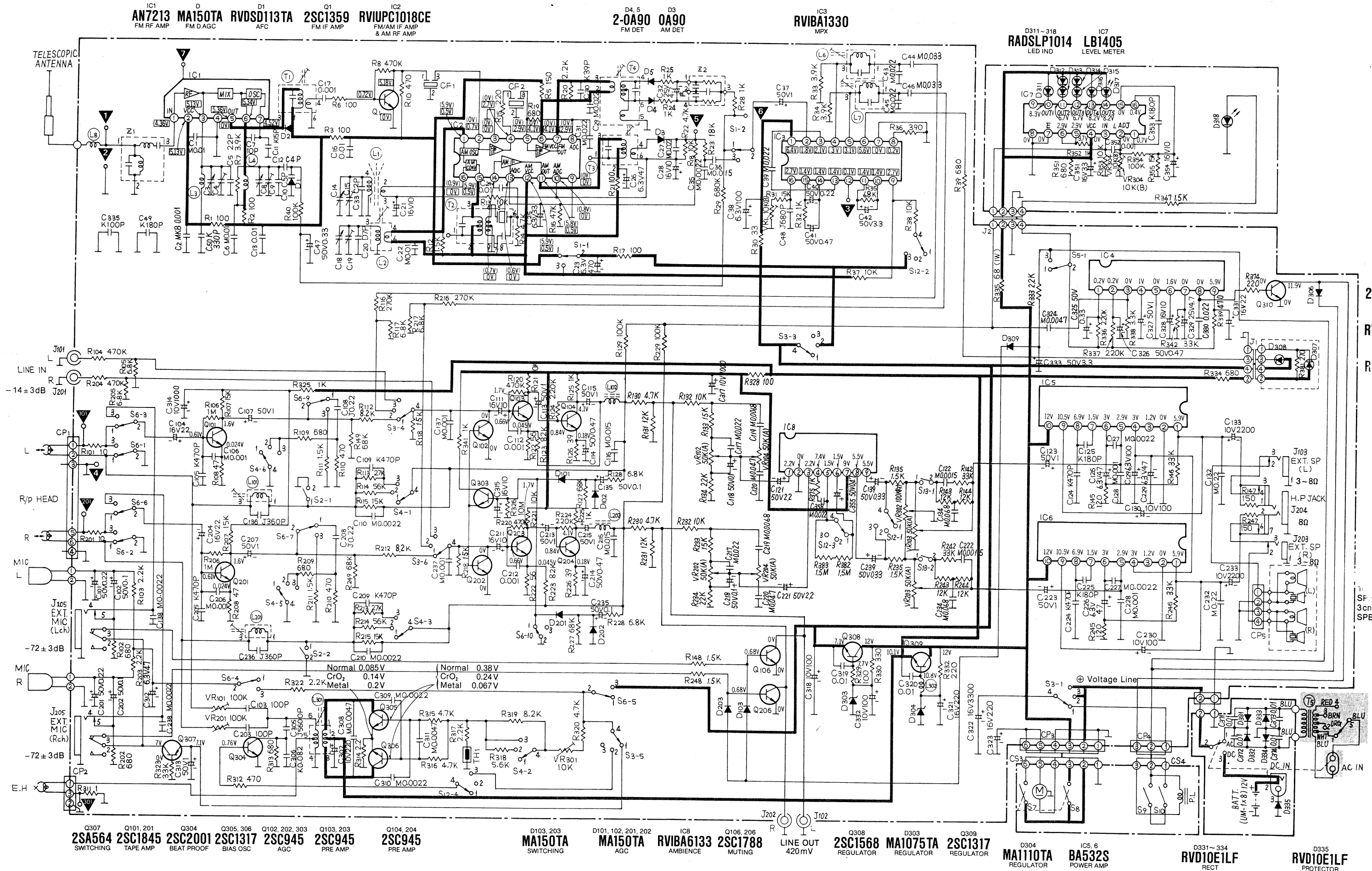
[Fig. 10]

- 1 in Fig. —.
- 2
- 3
- 4
- 2
- 5
- 5



4 Turns

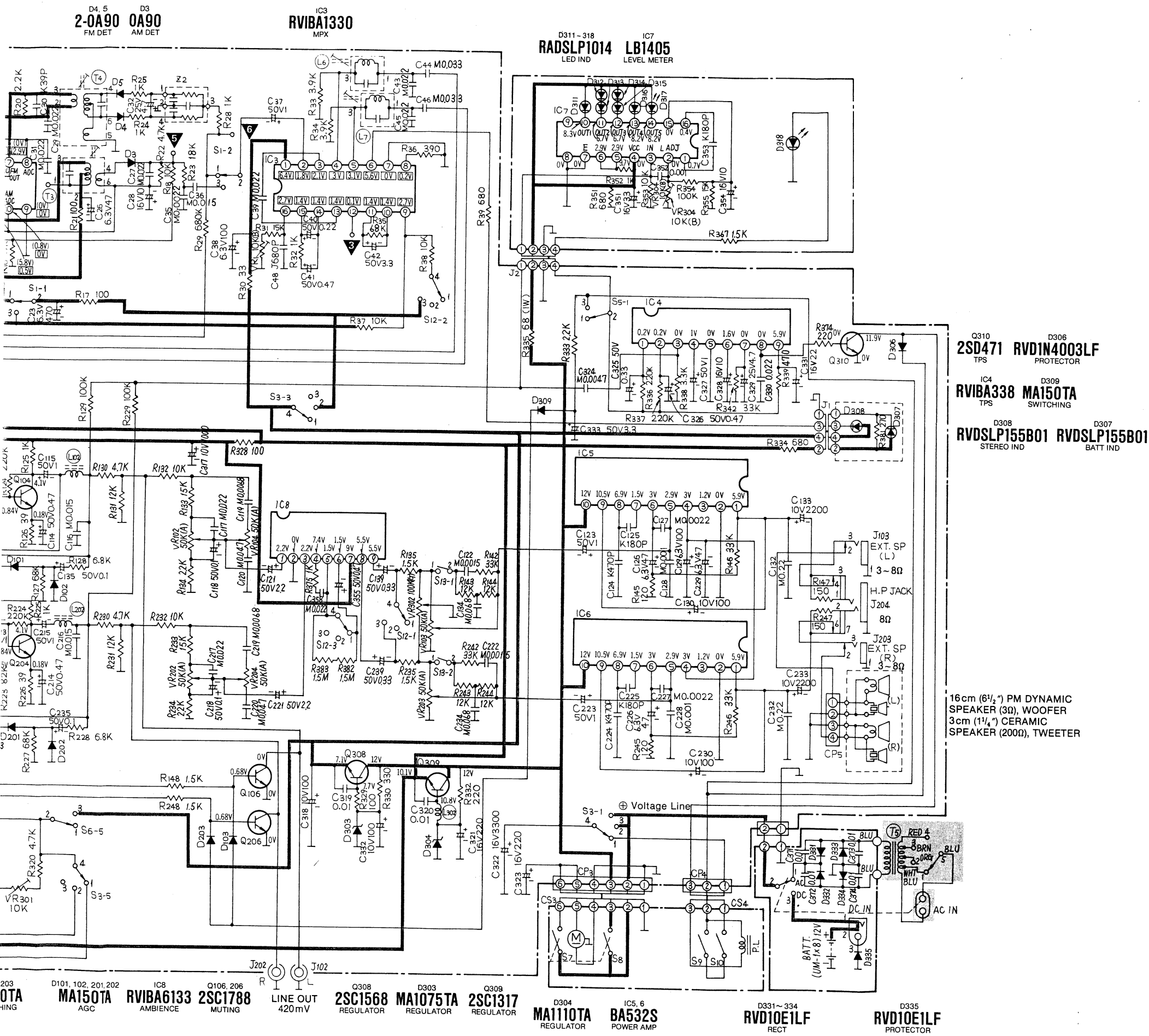
SCHEMATIC DIAGRAM MODEL RX-5150/©



- | | | | | | | | | | | | | | | | | | | |
|-----------------------------|----------------------------------|-------------------------------|----------------------------------|---------------------------------|--------------------------------|--------------------------------|-----------------------------------|---------------------------------------|------------------------------|--------------------------------|-------------------|------------------------------|-------------------------------|------------------------------|-------------------------------|-------------------------------|-------------------------------|--------------------------------|
| Q307
2SA564
SWITCHING | Q101, 201
2SC1845
TAPE AMP | Q304
2SC2001
BEAT PROOF | Q305, 306
2SC1317
BIAS OSC | Q102, 202, 303
2SC945
AGC | Q103, 203
2SC945
PRE AMP | Q104, 204
2SC945
PRE AMP | D103, 203
MA150TA
SWITCHING | D101, 102, 201, 202
MA150TA
AGC | IC8
RV1BA6133
AMBIENCE | Q106, 206
2SC1788
MUTING | LINE OUT
420mV | Q308
2SC1568
REGULATOR | D303
MA1075TA
REGULATOR | Q309
2SC1317
REGULATOR | D304
MA1110TA
REGULATOR | IC5, 6
BA532S
POWER AMP | D331~334
RVD10E1LF
RECT | D335
RVD10E1LF
PROTECTOR |
|-----------------------------|----------------------------------|-------------------------------|----------------------------------|---------------------------------|--------------------------------|--------------------------------|-----------------------------------|---------------------------------------|------------------------------|--------------------------------|-------------------|------------------------------|-------------------------------|------------------------------|-------------------------------|-------------------------------|-------------------------------|--------------------------------|

SCHEMATIC DIAGRAM MODEL RX-5150/©

RX-5150/© RX-5150/©



Notes:

1. S1-1 ~ S1-4: Band switch in "FM" position.
(1)...FM, (2)...AM)
2. S2-1, S2-2: Muting switch
3. S3-1 ~ S3-6: Function switch in "TAPE" position.
(1)...TAPE/OFF, (2)...RADIO, (3)...LINE)
4. S4-1 ~ S4-6: Tape switch in "NORMAL" position.
(1)...NORMAL, (2)...CrO₂, (3)...METAL)
5. S5-1 ~ S5-2: TPS switch.
6. S6-1 ~ S6-10: Record/Playback switch in "Playback" position.
(1)...Playback, (3)...Record)
7. S7,8: Playback switch.
8. S9: FF, Rewind switch.
9. S10: Playback switch.
10. S12-1 ~ S12-4: Mode/beat proof switch in "AMBIENCE/I" position.
(1)...AMBIENCE/I, (2)...STEREO/I, (3)...MONO/II)
11. S13-1, S13-2: Loudness switch in "OFF" position.
12. S14: Voltage selector.
13. DC voltage measurements are taken with electronics voltmeter from negative terminal of battery.
[]...FM position, ()...AM position.
14. VR1..... VCO adjustment.
VR101, 201.... Bias current adjustment.
VR102, 202.... Bass control.
VR103, 203.... Volume control.
VR104, 204.... Treble control.
VR301..... Erase bias adjustment.
VR302..... Balance control.
VR304..... LED meter adjustment.
15. Battery current
No signal 180 mA
Maximum output..... 1.7A

Important safety notice
The shaded area on this schematic diagram incorporates special features important for protection from fire and electrical shock hazards.
When servicing it is essential that only manufacturer's specified parts be used for the critical components in the shaded areas of the schematic.

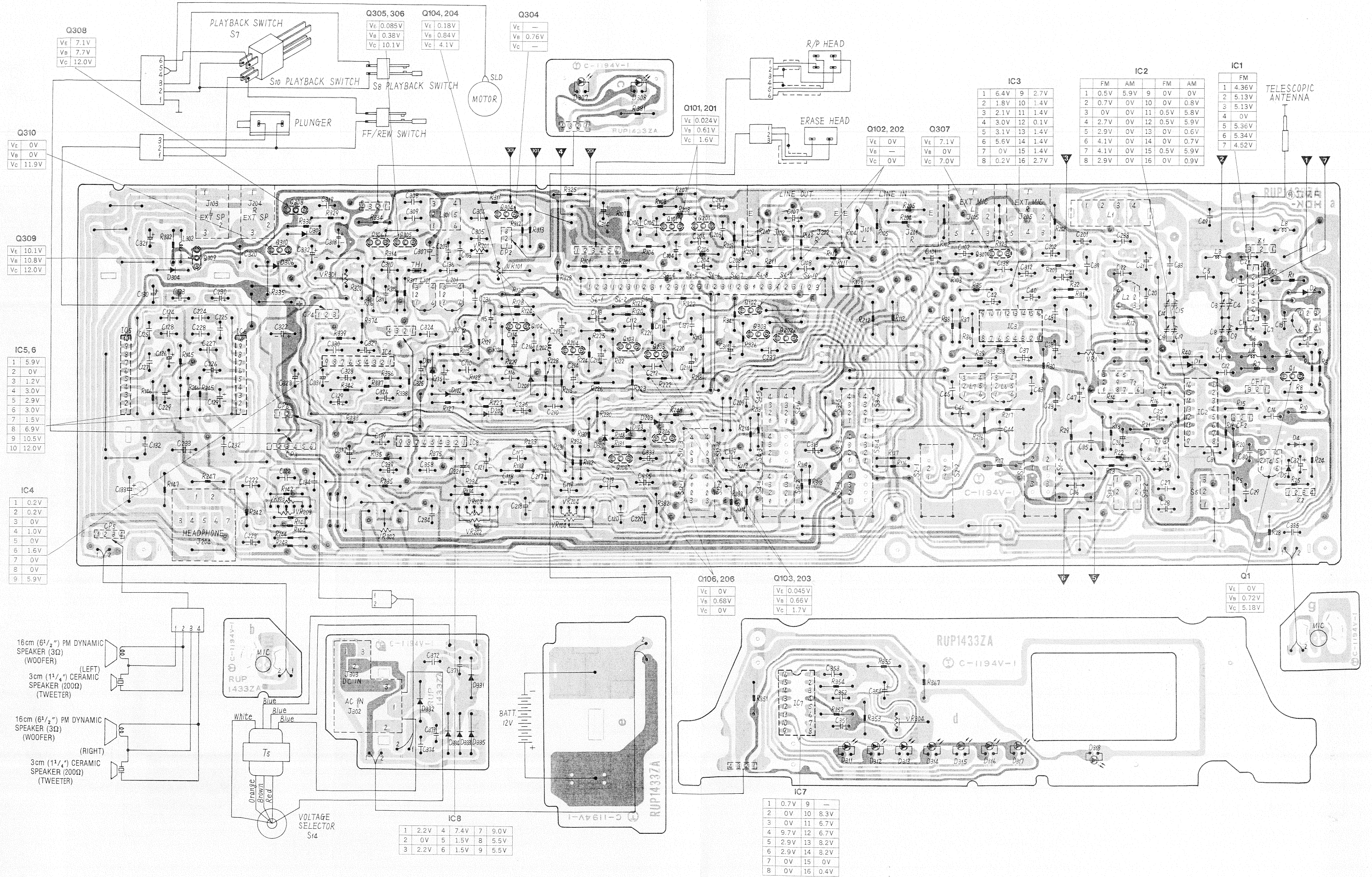
BIAS FREQUENCY: 67 ± 0.5kHz
(S12-4-③)
BIAS VOLTAGE: 8 ± 0.3mV (METAL)
5.6 ± 0.4mV (CrO₂)
3.6 ± 0.5mV (NORMAL)

OVERALL FREQUENCY RESPONSE:
METAL { 125Hz: -3 ± 5dB
1kHz: 0dB
10kHz: 3 ± 6dB
CrO₂ { 125Hz: -3 ± 5dB
1kHz: 0dB
10kHz: 2 ± 6dB
NORMAL { 125Hz: -3 ± 5dB
1kHz: 0dB
10kHz: 3 ± 6dB

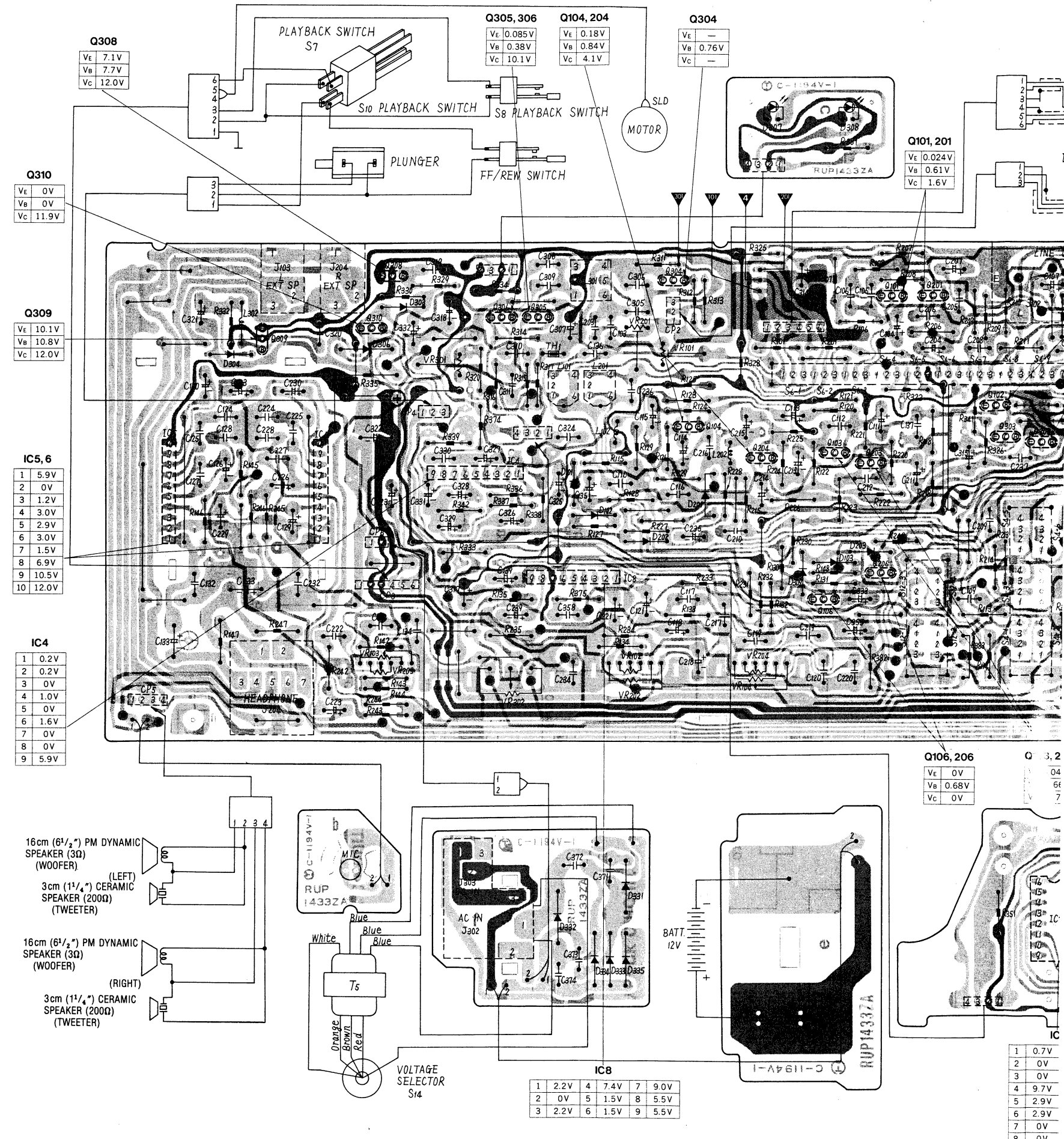
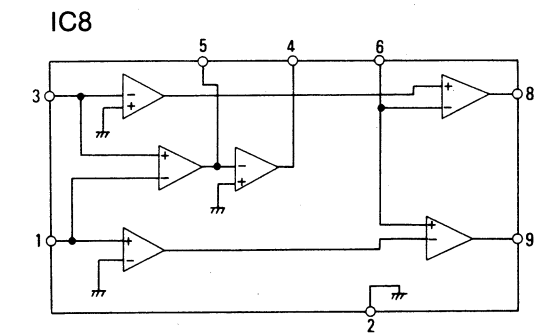
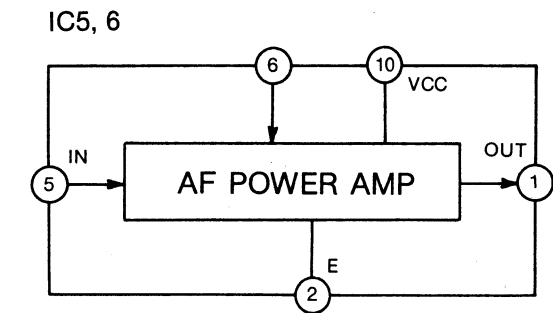
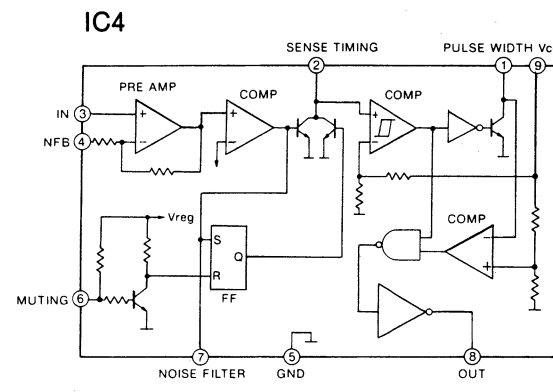
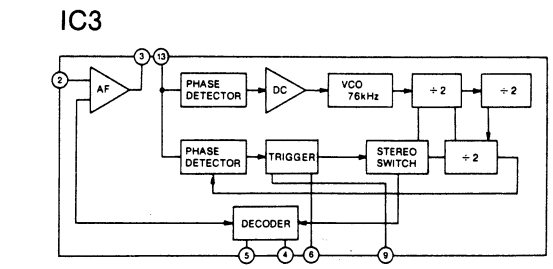
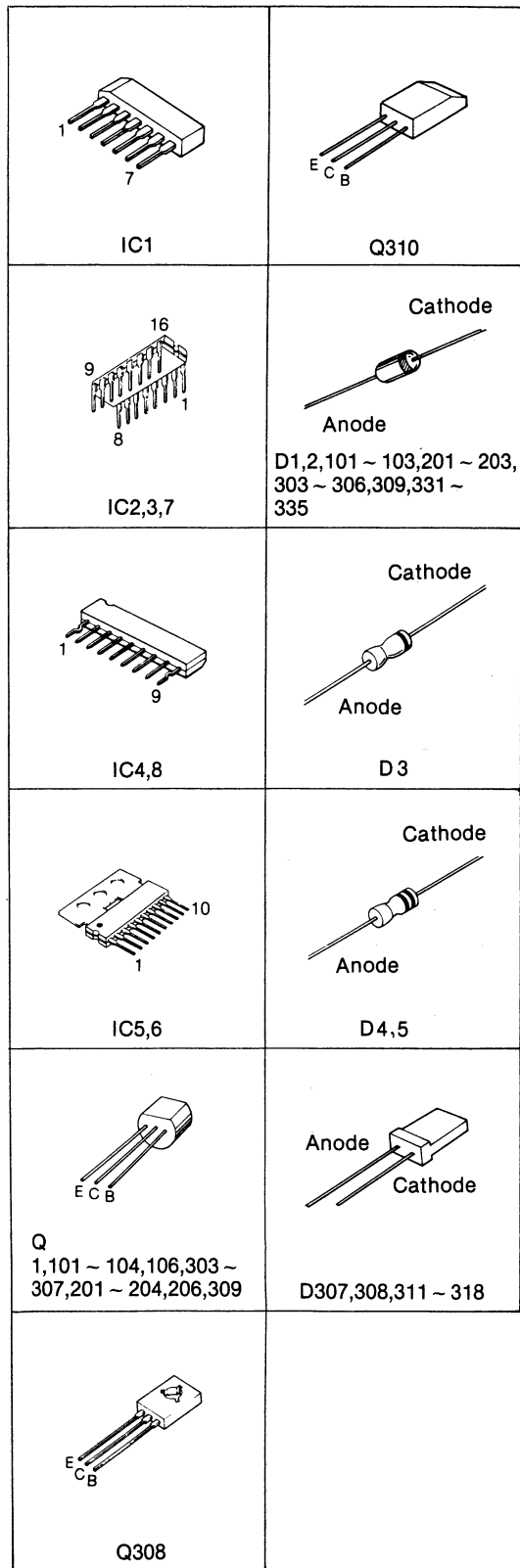
16cm (6 1/2") PM DYNAMIC SPEAKER (3Ω), WOOFER
3cm (1 1/4") CERAMIC SPEAKER (200Ω), TWEETER



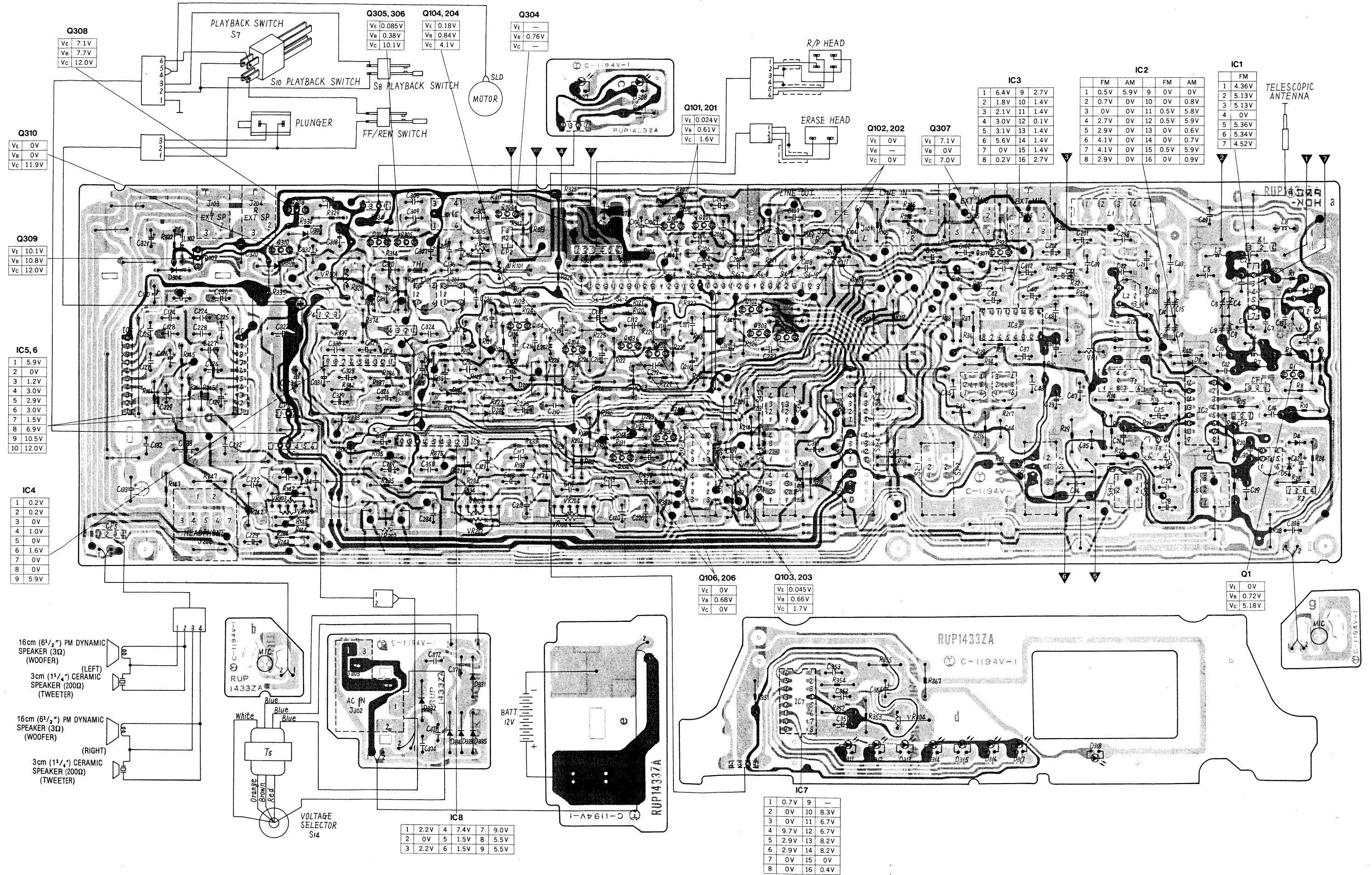
CIRCUIT BOARD WIRING VIEW MODEL RX-5150/©



CIRCUIT BOARD WIRING VIEW

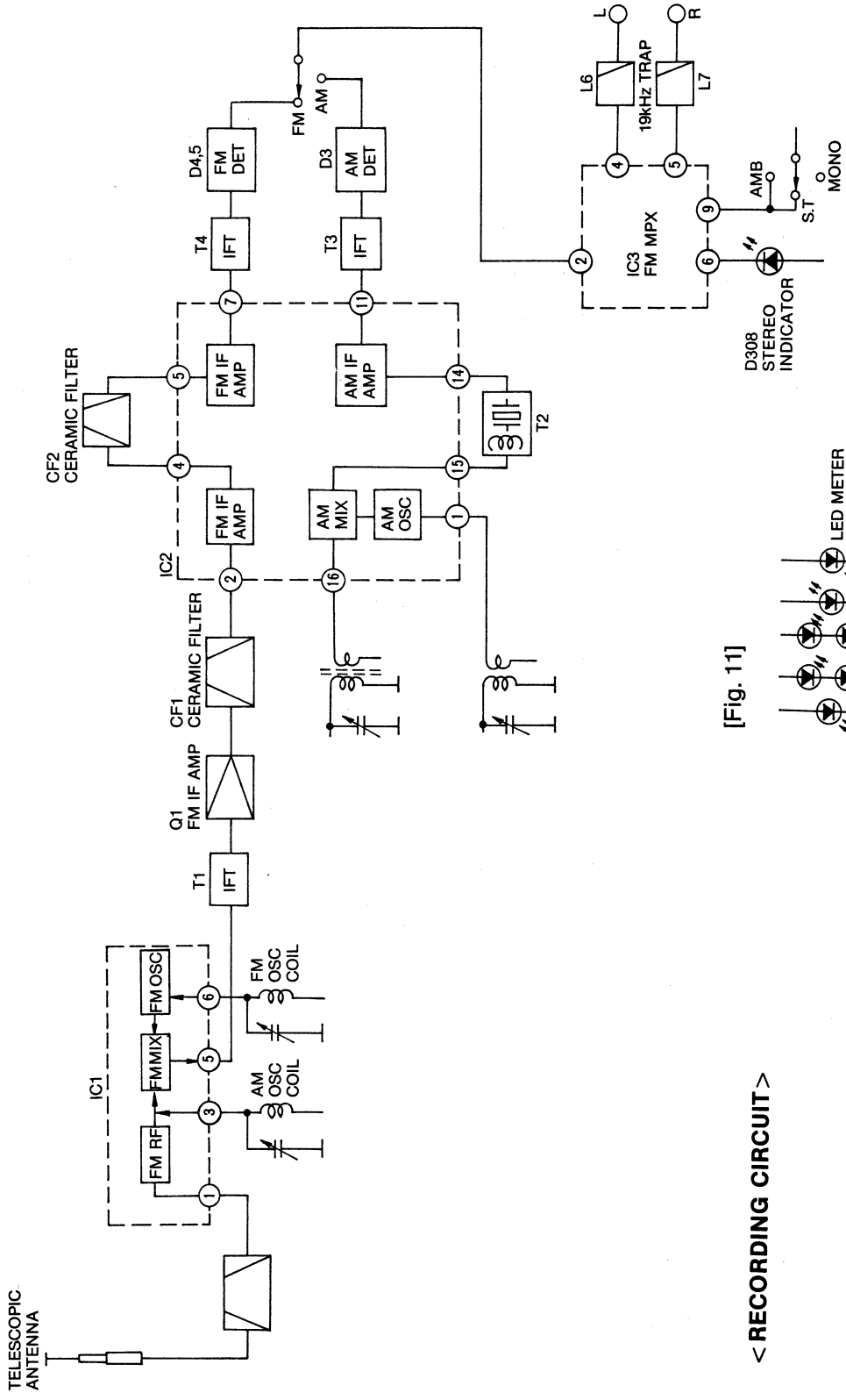


CIRCUIT BOARD WIRING VIEW MODEL RX-5150/©



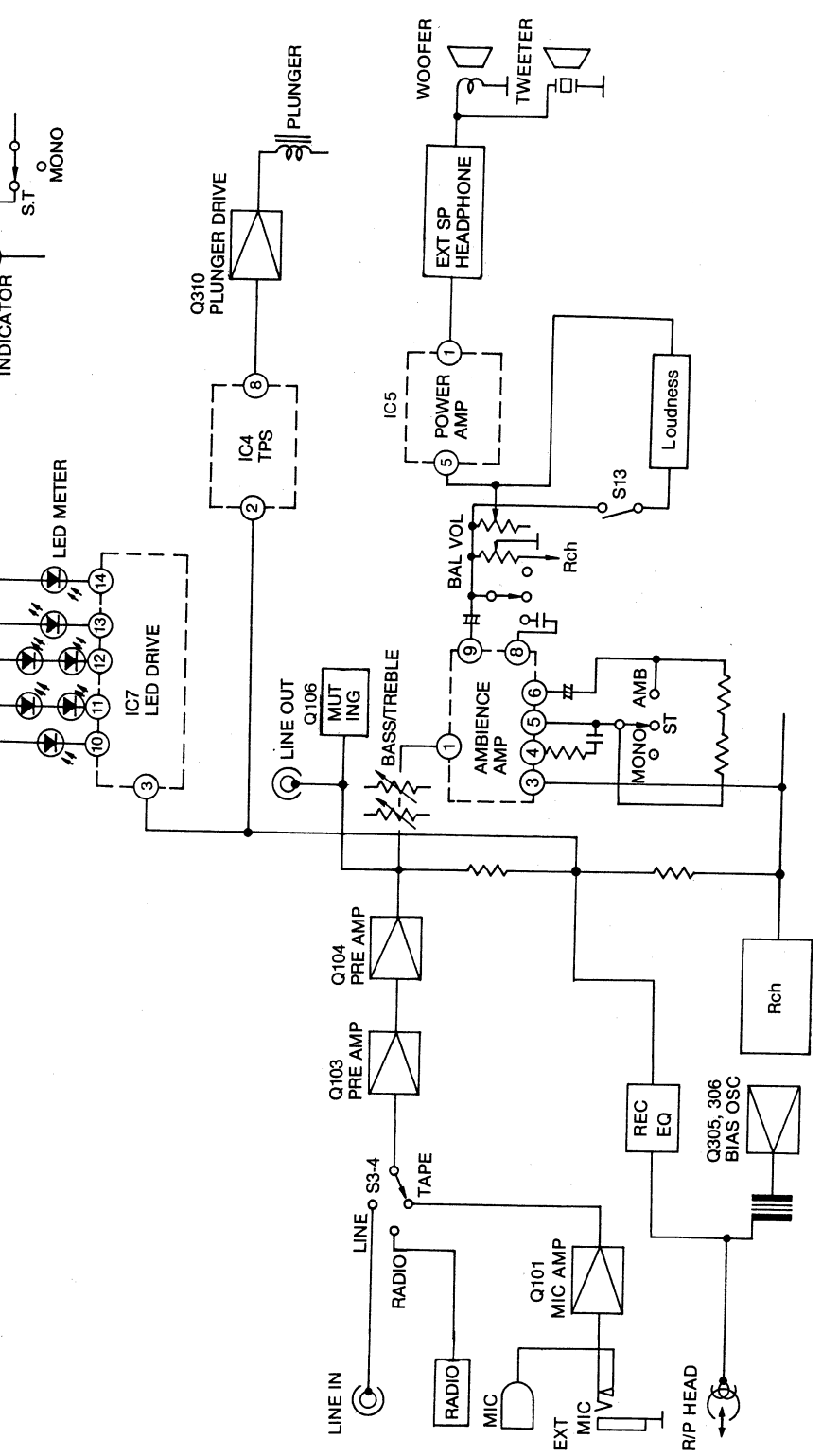
BLOCK DIAGRAM

< RADIO CIRCUIT >



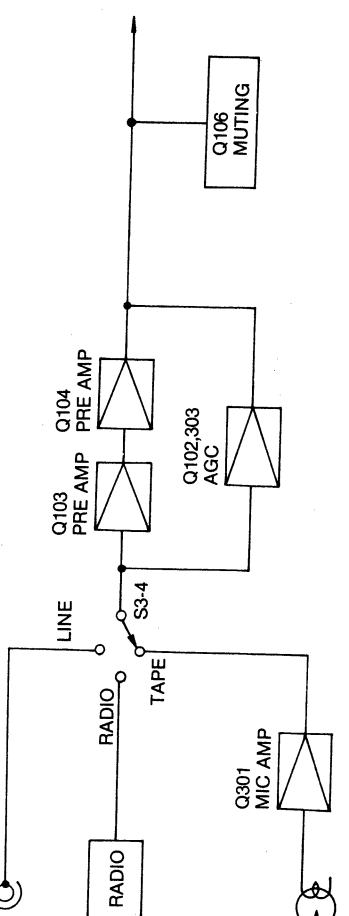
[Fig. 11]

< RECORDING CIRCUIT >

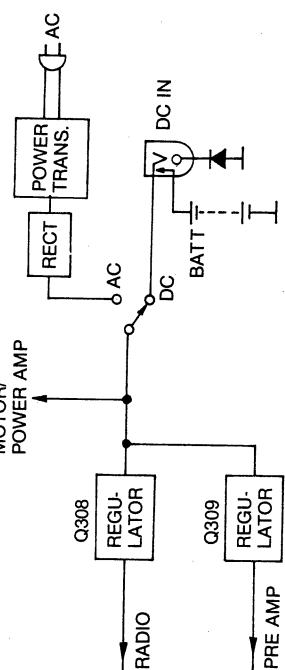


[Fig. 12]

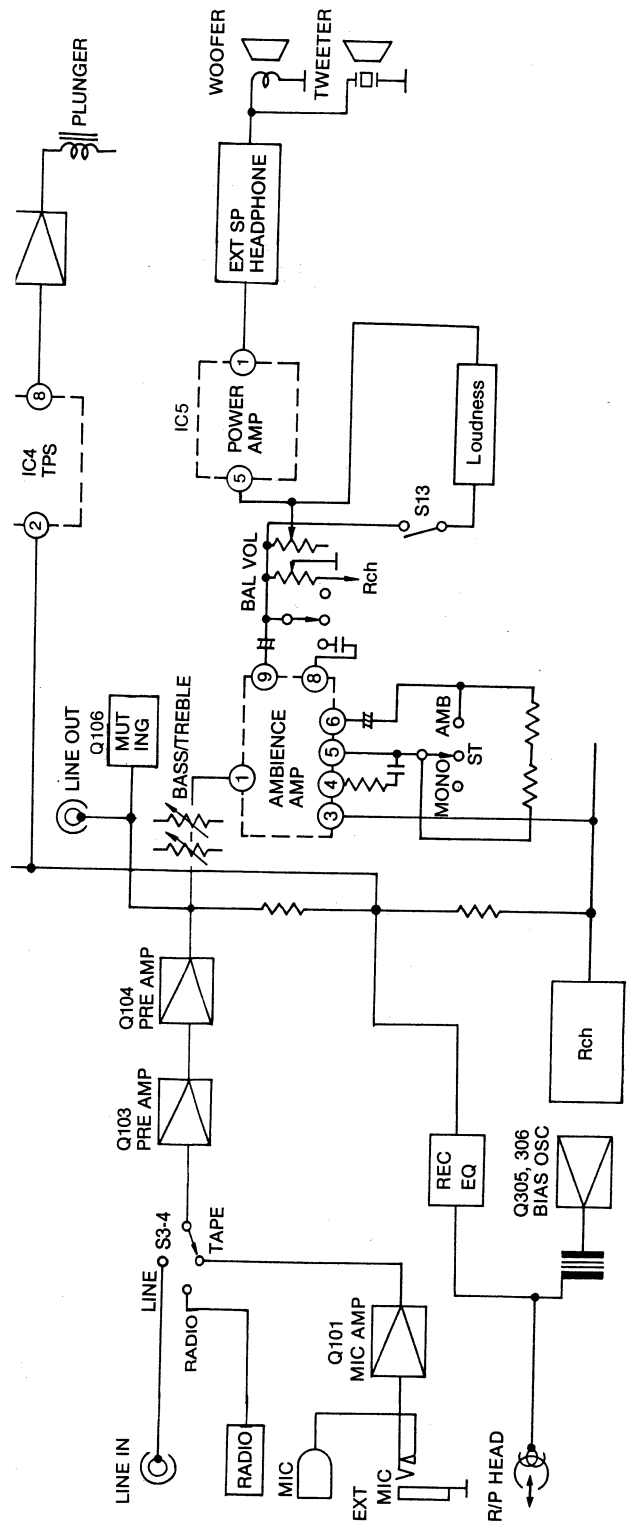
< PLAYBACK CIRCUIT >



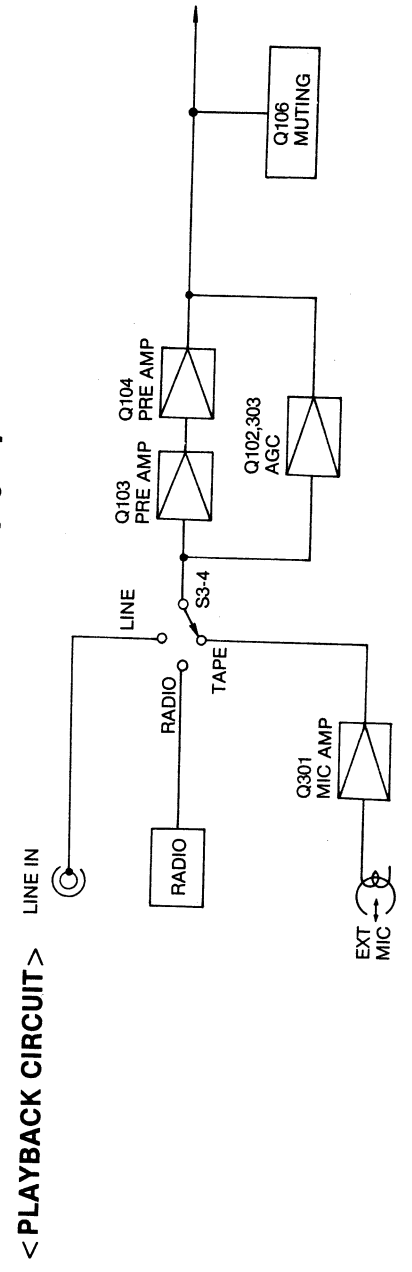
< POWER SUPPLY CIRCUIT >



[Fig. 13]



[Fig. 12]

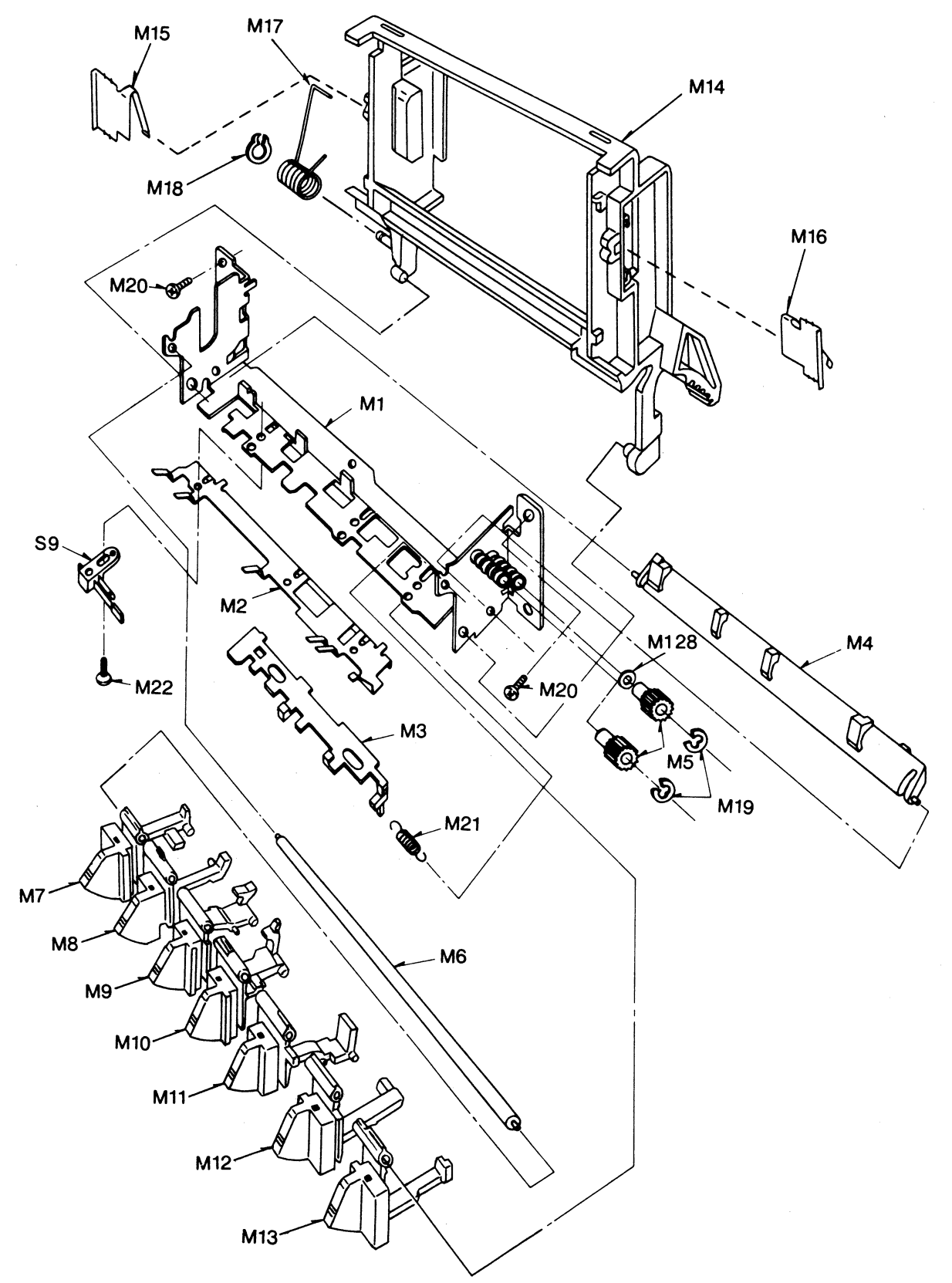


[Fig. 13]

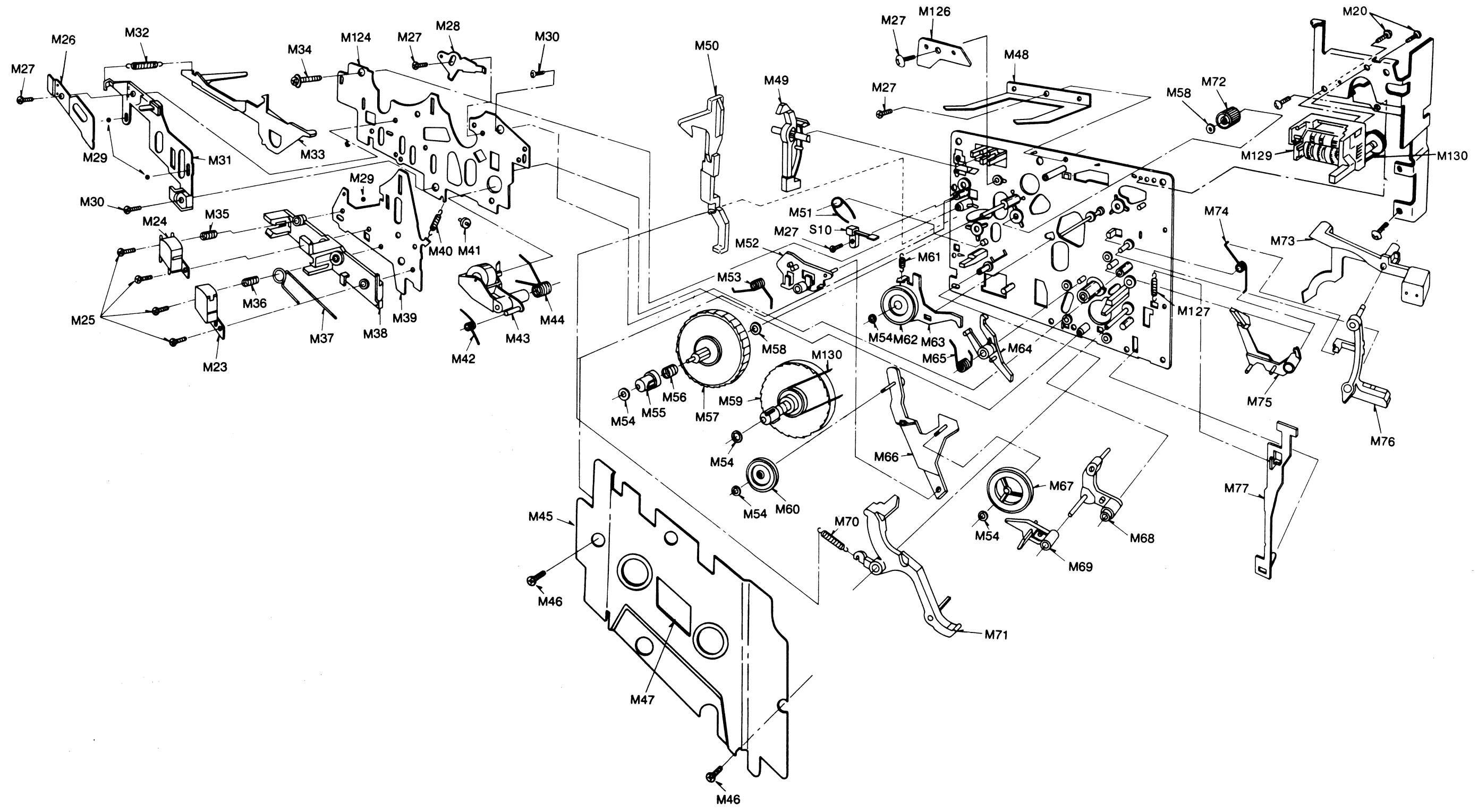
< POWER SUPPLY CIRCUIT >

< PLAYBACK CIRCUIT >

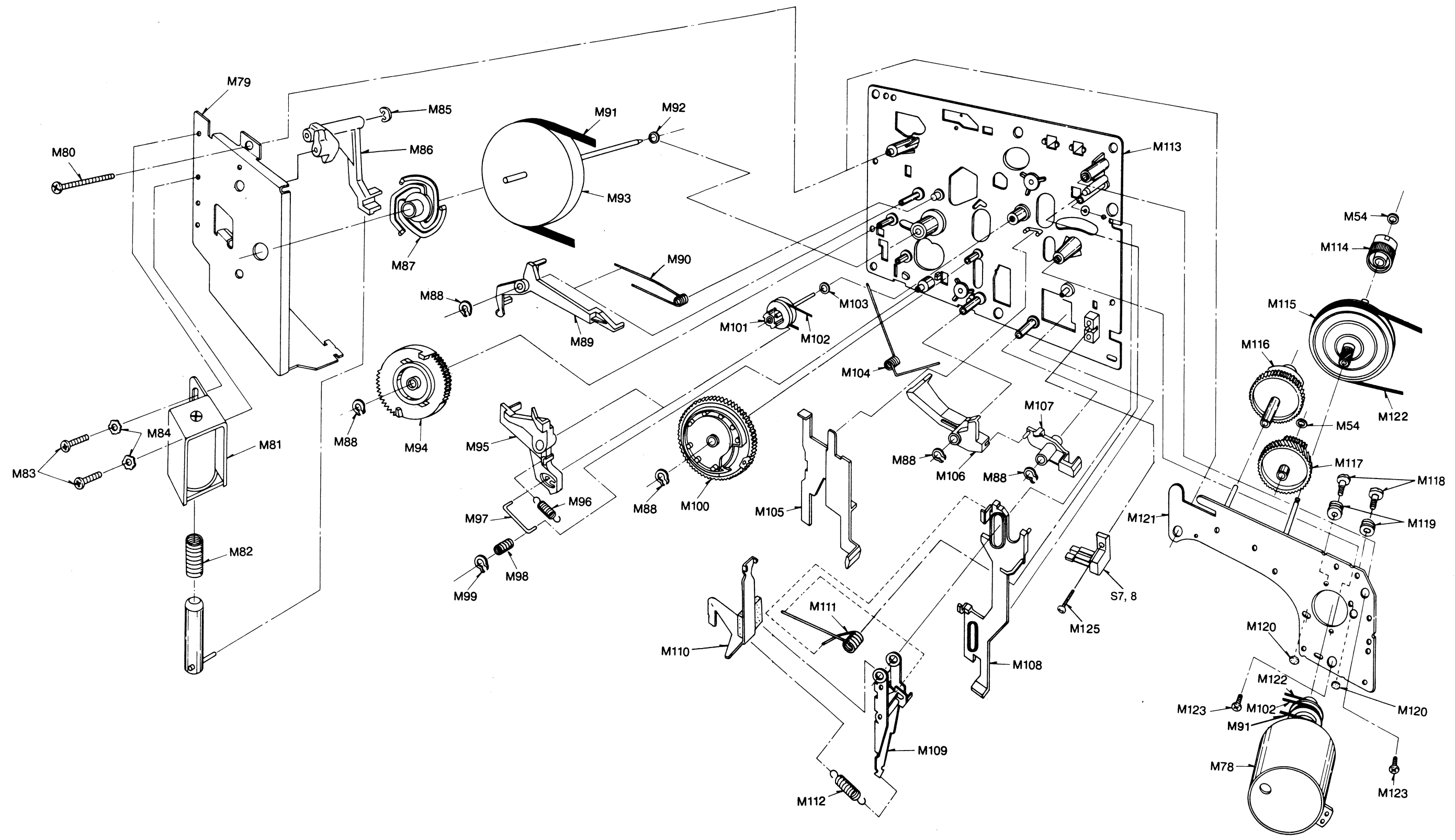
EXPLODED VIEW



[Fig. 14]

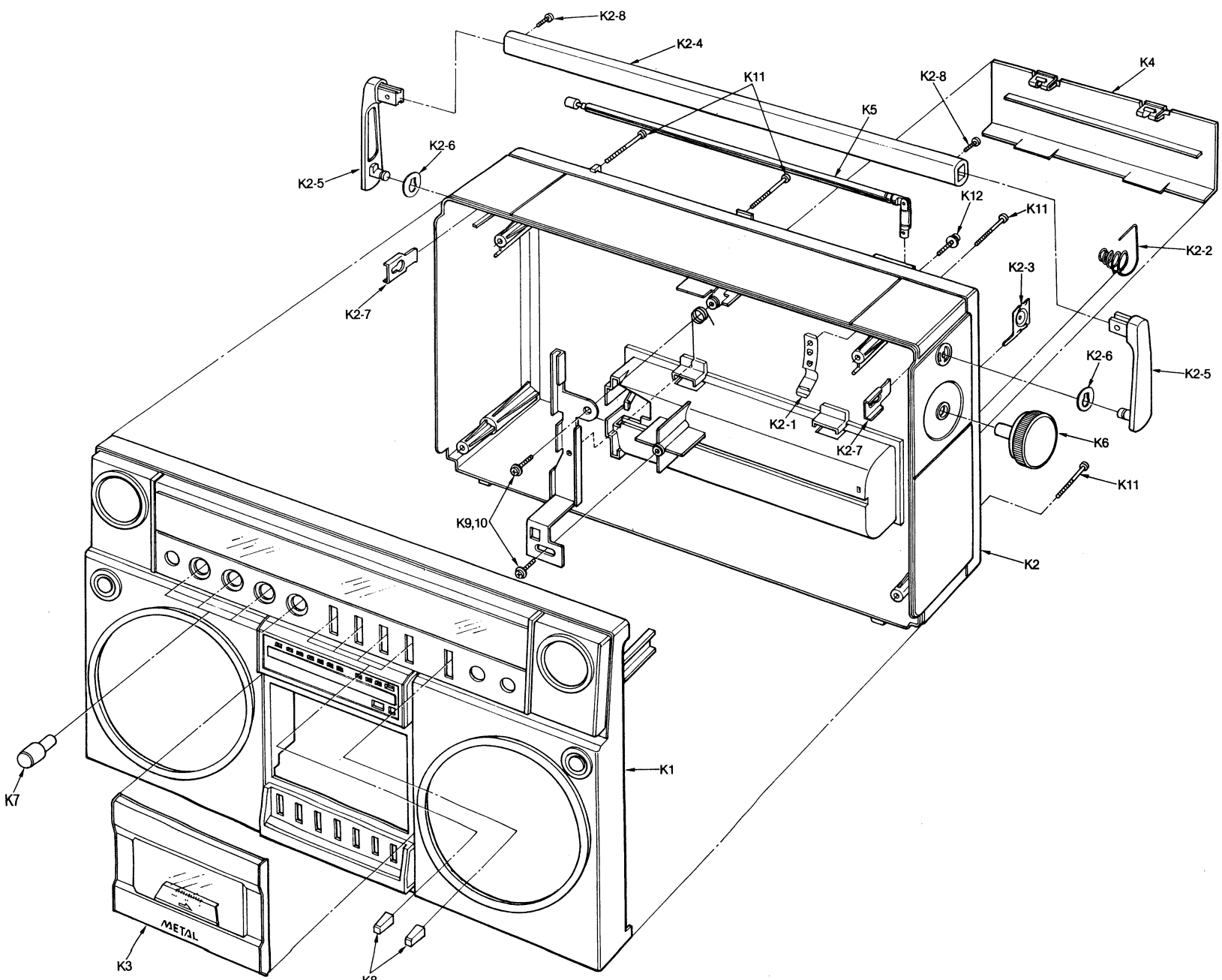


[Fig. 15]

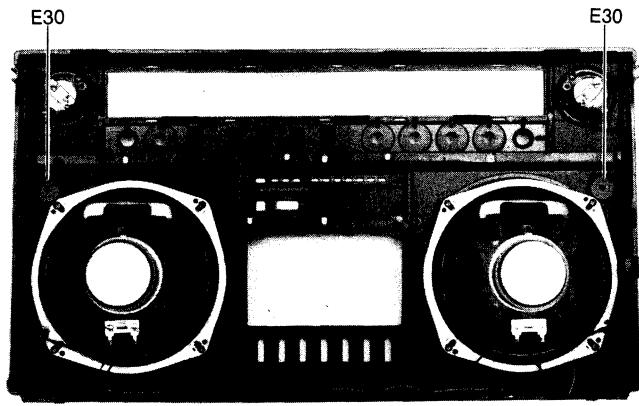


[Fig. 16]

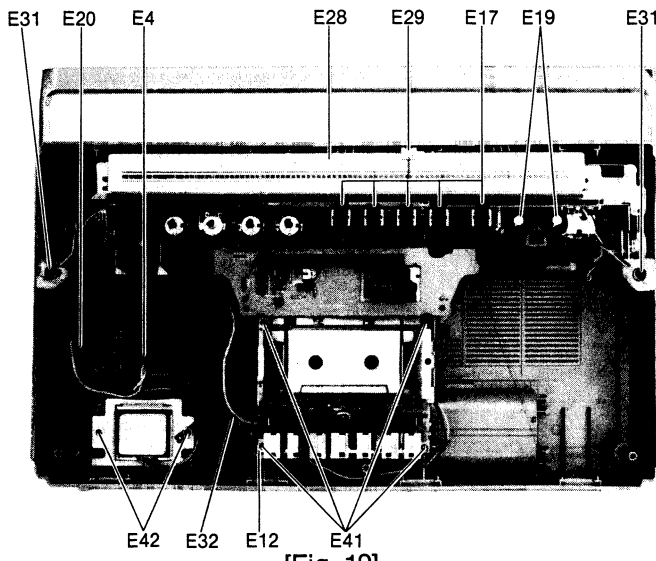
CABINET PARTS LOCATION



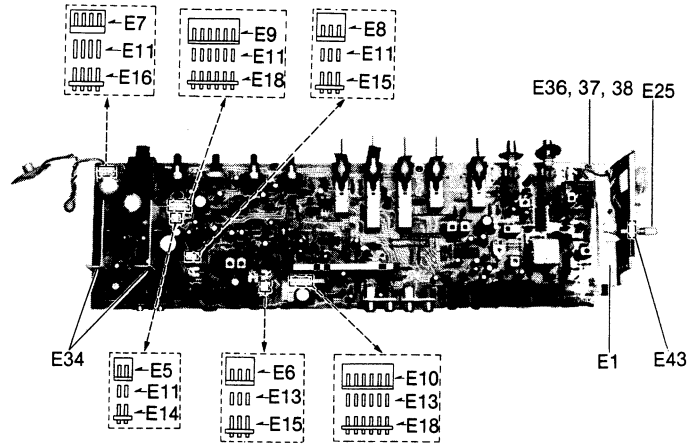
ELECTRICAL PARTS LOCATIONS



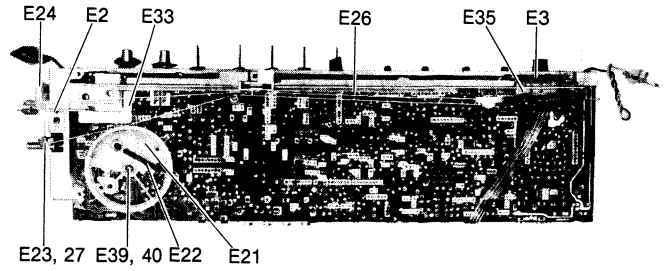
[Fig. 18]



[Fig. 19]

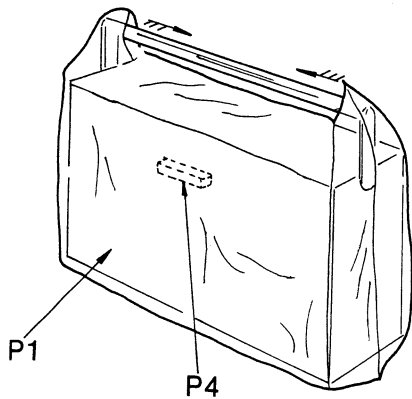


[Fig. 20]

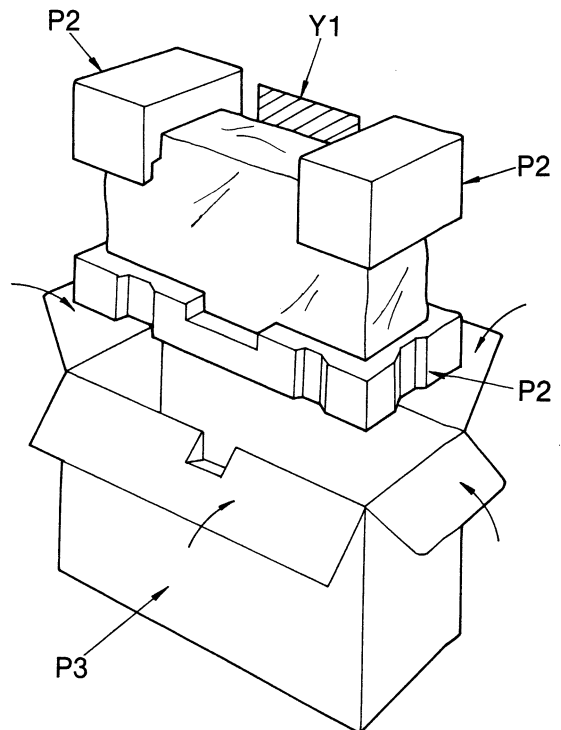


[Fig. 21]

PACKING MATERIALS



[Fig. 22]



[Fig. 23]

REPLACEMENT PARTS LISTModel RX-5150/©

(RD81045191C1)

NOTES: 1. Important safety notice.
 Components identified by Δ mark have special characteristics important for safety.
 When replacing any of these components, use only manufacturer's specified parts.
 2. The S mark indicates service standard parts and may differ from production parts.

Ref. No.	Part No.	Part Name & Description	Per Set	Remarks
MECHANICAL PARTS				
M1	QXA1044	Button Bracket Ass'y	1	
M2	QBP1875	Spring, Operation Rod	1	
M3	QMR1823	Lock Rod	1	
M4	QML3649	Lock Arm	1	
M5	QDG1102	Gear, Slow Up	1	
M6	QMN2554	Shaft, Operation Rod	1	
M7	QXL1430	Eject Lever Ass'y	1	
M8	QXL1431	Rec Lever Ass'y	1	
M9	QXL1432	Rewind Lever Ass'y	1	
M10	QXL1433	FF Lever Ass'y	1	
M11	QXL1434	Play Lever Ass'y	1	
M12	QXL1435	Stop Lever Ass'y	1	
M13	QXL1436	Pause Lever Ass'y	1	
M14	RKG18Z	Cassette Holder	1	
M15	RUS406Z	Spring, Cassette Holder (Left)	1	
M16	RUS405Z	Spring, Cassette Holder (Right)	1	
M17	QBN1749	Spring, Cassette Slot	1	
M18	XUC5FT	Circlip	1	S
M19	XUC4FT	Circlip	2	S
M20	XTN26+6B	Screw	2	S
M21	QBT1597	Spring	1	
M22	XTN2+6B	Screw	1	S
M23	QWY4122Z	R/P Head	1	
M24	QWY2138Z	Erase Head	1	
M25	XSN2+9	Screw	4	
M26	QBP1873	Head Base Pressure Plate	1	
M27	XTN26+6B	Screw	7	S
M28	QMA3858	Head Plate	1	
M29	QDK1017	Steel Ball	3	
M30	XTN26+10B	Screw	2	S
M31	QMZ1240	Holder, Head Base	1	
M32	QBT1597	Spring	1	
M33	QML3591	Brake Arm	1	
M34	XTN26+12B	Screw	1	S
M35	QBCA0008	Head Spring	1	
M36	QBC1278	Head Spring	1	
M37	QBN1740	Spring, R/P Head	1	
M38	QMZ1241	Head Spacer	1	
M39	QMK1840	Head Base Plate	1	
M40	QBT1892	Spring, Head Base Plate	1	
M41	QMN2550	Guide Roller	1	
M42	QBN1742	Spring, Pinch Roller	1	
M43	QXL1381	Pinch Roller Ass'y	1	
M44	QBN1743	Spring, Pinch Roller	1	
M45	QMF2097	Cover	1	
M46	XTN26+6BFZ	Screw	2	

Ref. No.	Part No.	Part Name & Description	Per Set	Remarks
M47	QKE1104	Refrecting Plate	1	
M48	QBP1874	Cassette Holder Plate	1	
M49	QML3603	Safety Lever	1	
M50	QMR1822	Eject Rod	1	
M51	QBN1747	Spring	1	
M52	QML3588	FF Spring Lever	1	
M53	QBN1748	FF Spring	1	
M54	QBW2008	Washer	6	
M55	QMB1336	Supply Drive Cam	1	
M56	QBC1306	Back Tension Spring	1	
M57	QDR1139	Supply Reel Table	1	
M58	QBW2012	Washer	2	
M59	QXD1143	Take Up Reel Table Ass'y	1	
M60	QXI0113	FF Idler Ass'y	1	
M61	QBT1893	Take Up Idler Spring	1	
M62	QXI0111	Take Up Idler Ass'y	1	
M63	QXL1382	Idler Lever Ass'y	1	
M64	QML3592	Change Lever	1	
M65	QBN1741	Lever Spring	1	
M66	QXL1383	FF Arm Ass'y	1	
M67	QXI0112	Rewind Idler Ass'y	1	
M68	QXL1354	Sub Lever Ass'y	1	
M69	QML3586	MS Lever	1	
M70	QBT1894	Main Lever Spring	1	
M71	QXL1355	Main Lever Ass'y	1	
M72	QDP1828	FF Pulley	1	
M73	QML3605	Auto Stop Detector Lever	1	
M74	QBN1746	Auto Stop Lever Spring	1	
M75	QML3594	Auto Stop Release Lever	1	
M76	QML3604	Auto Stop Drive Lever	1	
M77	QMR1821	Auto Stop Connection Rod	1	
M78	QXU0177	Motor Ass'y	1	
M79	QXA1042	Bracket Ass'y Plunger	1	
M80	XTN3+24B	Screw	1	
M81	QME0157	Plunger	1	
M82	QBC1358	Spring	1	
M83	XSN3+6S	Screw	2	S
M84	XWC3B	Washer	2	S
M85	XUC3FT	Circlip	1	S
M86	QML3616	Pause Driving Lever	1	
M87	QMZ1239	Flywheel Thrust Retainer	1	
M88	XUB3FT	Circlip	5	S
M89	QML3581	Sub Operation Lever	1	
M90	QBN1744	Sub Gear Spring	1	
M91	QDB0281	Capstan Belt	1	
M92	QBN2049	Washer	1	
M93	QXF0164	Flywheel Ass'y	1	
M94	QDG1202	Sub Gear	1	
M95	QML3582	Pause Lock Lever	1	
M96	QBT1896	Lever Spring	1	
M97	QBS1128	Lock Pin	1	
M98	QBC1357	Lock Pin Spring	1	
M99	XUB4FT	Circlip	1	S
M100	QDG1201	Main Gear	1	
M101	QXP0607	FF Belt Pulley Ass'y	1	
M102	QDB0274	Rewind Belt	1	

Ref. No.	Part No.	Part Name & Description	Per Set	Remarks	Ref. No.	Part No.	Part Name & Description	Per Set	Remarks
M103	QBW2012	Washer	1		D306	RVDIN4003LF	Diode (Si)	1	
M104	QBN1745	Main Gear Spring	1		D307,308	RVDSLPL155B01	Diode (GA)	2	
M105	QMR1824	Control Rod	1		D311~318	RADSLP1014	Diode (GA)	1	
M106	QML3583	Main Operation Lever	1		D331~334,335	SM112	Diode (Si)	5	S
M107	QML3584	Reverse Lever	1						
M108	QMR1820	Record Rod	1				THERMISTOR		
M109	QXL1360	R/P Selector Arm Ass'y	1		Th1	RRT202	Thermistor	1	
M110	QML3580	R/P Selector Lever	1				COILS AND TRANSFORMERS		
M111	QBN1739	Selector Lever Spring	1		L1	RLF2W157	Coil, AM Antenna	1	
M112	QBT1895	R/P Pressure Spring	1		L2	RLO2M18	Coil, AM Oscillator	1	
M113	QXX2276	Lower Base Plate	1		L3	RLD4Y44	Coil, FM Antenna	1	
M114	QDP1823	Connection Pulley	1		L4	RLD4Y43	Coil, FM Oscillator	1	
M115	QXG1047	Take Up Gear Ass'y	1		L6,7	QLM1M2	Coil, 19kHz Trap	2	
M116	QDG1200	Cam Gear	1		L101,201	QLQM1531	Coil, Bias Trap	2	
M117	QDGL199	Auto Stop Gear	1		L301	RLO9C23	Coil, Bias Oscillator	1	
M118	QHQL303	Screw	2		T1	RLI4M101	IPT, FM	1	S
M119	QBG1373	Cushion	1		T2	RLI7W105	IPT, AM	1	S
M120	QBG1683	Cushion	1		T3	RLI2M402	IPT, AM	1	S
M121	QXX2286	Sub Chassis Ass'y	1		T4	RLI4M511	IPT, FM	1	S
M122	QDB0273	Fast Forward Belt	1		T5	RLT5L330B	Power Transformer For USA	1	⚠
M123	XTN3+10B	Screw	2	S	T5	RLT5L4C1A	Power Transformer For Canada	1	⚠
M124	QMK1838	Upper Deck	1				VARIABLE RESISTORS		
M125	XTN2+10B	Screw	1	S	VR1	EVLS3AA00B14	Variable Resistor, Pre-set, 10kΩ (B)	1	
M126	QMF2118	Fitting Plate	1		VR101,201	EVNM4AA00B15	Variable Resistor, Pre-set, 100kΩ (B)	2	S
M127	QBT1682	Lock Spring	1		VR102,104,202,204	EWCS0AF15A54	Variable Resistor, 100kΩ (A)	4	
M128	QBW2020	Washer	1		VR103,203	EWCS1AF15A54	Variable Resistor, 100kΩ (A)	2	
M129	RSE80Z	Counter	1		VR301,304	EVNM4AA00B14	Variable Resistor, Pre-set, 10kΩ (B)	2	S
M130	RDV11Z	Belt	1		VR302	EWHP2AF15G15	Variable Resistor, 100kΩ (G)	1	
		INTEGRATED CIRCUITS, TRANSISTORS AND DIODES					VARIABLE CAPACITOR		
IC1	AN7213	IC	1		C3,4,8,9,14,15,18,19	RCV4LC2V1K	Tuning Capacitor	1	
IC2	RVIUPC1018CE	IC	1				CERAMIC FILTERS		
IC3	RVIBA1330	IC	1		CF1,2	RVF107MAR	Ceramic Filter	2	
IC4	RVIBA338	IC	1				COMPONENT COMBINATIONS		
IC5,6	RVIBA532S	IC	2		Z1	RXABPWB5W	Component Combination	1	
IC7	LB1405	IC	1		Z2	EXA5DL01CF	Component Combination	1	
IC8	RVIBA6133	IC	1				SPEAKERS		
Q1	2SC1359B	Transistor (Si)	1	S		EAS16P90G	Speaker, 16cm (6-1/2"), Woofer	2	
Q101,201	2SC1845E	Transistor (Si)	2	S		EAS3FP03A	Speaker, 3cm (1-1/4"), Tweeter	2	
Q102~104,202~204,303	2SC945-Q	Transistor (Si)	7	S			SWITCHES		
Q106,206	2SC1788RDR2	Transistor (Si)	2	S	S1	RST2B27Z	Switch, Band	1	
Q304	2SC2001K1	Transistor (Si)	1		S2	RST2B26Z	Switch, Muting	1	
Q305,306,309	2SC1317NCR	Transistor (Si)	3	S	S3,4	RST3F13Z	Switch, Function, Tape	2	
Q307	2SA722-S	Transistor (Ge)	1	S	S5,13	RSH2B15Z	Switch, TPS, Loudness	2	
Q308	2SC1568R	Transistor (Si)	1	S					
Q310	2SD471L	Transistor (Ge)	1	S					
D1	RVDS113	Diode (Si)	1	S					
D2,101~103,201~203,309	MA161	Diode (Si)	8	S					
D3,4,5	20A90	Diode (Se)	3	S					
D303	RVDRD7R5FB	Diode (Si)	1	S					
D304	MA1110TA	Diode (Si)	1						

Ref. No.	Part No.	Part Name & Description	Per Set	Remarks
S6	RSH2J01Y	Switch, Record/Playback	1	
S7,8	QSB0254	Switch, Playback	1	
S9,10	QSB0253	Switch, FF, Rewind & Playback	2	
S12	RST3D14Z	Switch, Mode	1	
S14	RSR4A01W	Switch, Voltage Selector	1	▲
JACKS				
J101,102,	201,202			
	RJF1081Y	Jack, LINE OUT/IN	1	
J103,203	RJJ87Y	Jack, EXT SP	2	
J105,205	RJJ1D7Z	Jack, EXT MIC	2	
J204	RJJ1E2Z	Jack, Headphone	1	
J302,303	QJS0328	Jack, AC/DC IN	1	▲
RESISTORS (Value is in OHMS)				
R1,2,3	ERD25FJ101	100 1/4W Carbon	3	S
R5	ERD25FJ151	150 " "	1	S
R6	ERD25FJ101	100 " "	1	S
R7	ERD25FJ392	3.9 k " "	1	S
R8	ERD25TJ474	470 k " "	1	S
R10	ERD25FJ471	470 " "	1	S
R12	ERD25FJ152	1.5 k " "	1	S
R13	ERD25FJ103	10 k " "	1	S
R14	ERD25FJ472	4.7 k " "	1	S
R15	ERD25FJ221	220 " "	1	S
R16	ERD25FJ473	47 k " "	1	S
R17	ERD25FJ101	100 " "	1	S
R18	ERD25FJ103	10 k " "	1	S
R19	ERD25FJ681	680 " "	1	S
R20	ERD25FJ222	2.2 k " "	1	S
R21	ERD25FJ101	100 " "	1	S
R22	ERD25FJ472	4.7 k " "	1	S
R23	ERD25FJ183	18 k " "	1	S
R24,25	ERD25FJ102	1 k " "	2	S
R28	ERD25FJ102	1 k " "	1	S
R29	ERD25TJ684	680 k " "	1	S
R30	ERD25FJ330	33 " "	1	S
R31	ERD25FJ153	15 k " "	1	S
R32	ERD25FJ102	1 k " "	1	S
R33,34	ERD25FJ392	3.9 k " "	2	S
R35	ERD25TJ683	68 k " "	1	S
R36	ERD25FJ391	390 " "	1	S
R37,38	ERD25FJ103	10 k " "	2	S
R39	ERD25FJ681	680 " "	1	S
R40	ERD25TJ104	100 k " "	1	S
R101	ERD25FJ100	10 " "	1	S
R102	ERD25FJ681	680 " "	1	S
R103	ERD25FJ222	2.2 k " "	1	S
R104	ERD25TJ474	470 k " "	1	S
R105	ERD25FJ682	6.8 k " "	1	S
R106	ERD25TJ105	1 M " "	1	S
R107	ERD25FJ153	15 k " "	1	S
R108	ERD25FJ470	47 " "	1	S
R109	ERD25FJ681	680 " "	1	S
R110	ERD25FJ471	470 " "	1	S
R111	ERD25FJ152	1.5 k " "	1	S

Ref. No.	Part No.	Part Name & Description	Per Set	Remarks
R112	ERD25FJ682	6.8 k 1/4W Carbon	1	S
R113	ERD25FJ273	27 k " "	1	S
R114	ERD25FJ563	56 k " "	1	S
R115	ERD25FJ153	15 k " "	1	S
R116	ERD25TJ274	270 k " "	1	S
R117	ERD25FJ682	6.8 k " "	1	S
R118	ERD25FJ153	15 k " "	1	S
R120	ERD25TJ474	470 k " "	1	S
R121	ERD25FJ103	10 k " "	1	S
R122	ERD25FJ560	56 " "	1	S
R123	ERD25TJ823	82 k " "	1	S
R124	ERD25TJ224	220 k " "	1	S
R125	ERD25FJ102	1 k " "	1	S
R126	ERD25FJ390	39 " "	1	S
R127	ERD25TJ683	68 k " "	1	S
R128	ERD25FJ682	6.8 k " "	1	S
R129	ERD25TJ104	100 k " "	1	S
R130	ERD25FJ472	4.7 k " "	1	S
R131	ERD25FJ123	12 k " "	1	S
R132	ERD25FJ822	8.2 k " "	1	S
R133	ERD25FJ153	15 k " "	1	S
R134	ERD25FJ222	2.2 k " "	1	S
R135	ERD25FJ152	1.5 k " "	1	S
R142	ERD25FJ333	33 k " "	1	S
R143	ERD25FJ123	12 k " "	1	S
R144	ERD25FJ123	12 k " "	1	S
R145	ERD25FJ121	120 " "	1	S
R146	ERD25FJ333	33 k " "	1	S
R147	ERD25FJ151	150 " "	1	S
R148	ERD25FJ152	1.5 k " "	1	S
R149	ERD25TJ683	68 k " "	1	S
R201	ERD25FJ100	10 " "	1	S
R202	ERD25FJ681	680 " "	1	S
R203	ERD25FJ222	2.2 k " "	1	S
R204	ERD25TJ474	470 k " "	1	S
R205	ERD25FJ682	6.8 k " "	1	S
R206	ERD25TJ105	1 M " "	1	S
R207	ERD25FJ153	15 k " "	1	S
R208	ERD25FJ470	47 " "	1	S
R209	ERD25FJ681	680 " "	1	S
R210	ERD25FJ471	470 " "	1	S
R211	ERD25FJ152	1.5 k " "	1	S
R212	ERD25FJ822	8.2 k " "	1	S
R213	ERD25FJ273	27 k " "	1	S
R214	ERD25FJ563	56 k " "	1	S
R215	ERD25FJ153	15 k " "	1	S
R216	ERD25TJ274	270 k " "	1	S
R217	ERD25FJ682	6.8 k " "	1	S
R218	ERD25FJ153	15 k " "	1	S
R220	ERD25TJ474	470 k " "	1	S
R221	ERD25FJ103	10 k " "	1	S
R222	ERD25FJ560	56 " "	1	S
R223	ERD25TJ823	82 k " "	1	S
R224	ERD25TJ224	220 k " "	1	S
R225	ERD25FJ102	1 k " "	1	S
R226	ERD25FJ390	39 " "	1	S

Ref. No.	Part No.	Part Name & Description			Per Set	Remarks	Ref. No.	Part No.	Part Name & Description			Per Set	Remarks
R227	ERD25TJ683	68 k	1/4W	Carbon	1	S	C5	ECCD1H180KC	18 P	50V	Ceramic	1	
R228	ERD25FJ682	6.8 k	"	"	1	S	C6	ECKD1H103MD	0.01	"	"	1	
R229	ERD25TJ104	100 k	"	"	1	S	C7	ECCD1H100KC	10 P	"	"	1	
R230	ERD25FJ472	4.7 k	"	"	1	S	C10,11	ECCD1H150KC	15 P	"	"	2	
R231	ERD25FJ123	12 k	"	"	1	S	C12	ECCD1H040C	4 P	"	"	1	
R232	ERD25FJ822	8.2 k	"	"	1	S	C13	ECKD1H103ZF	0.01	"	"	1	
R233	ERD25FJ153	15 k	"	"	1	S	C16	ECKD1H103ZF	0.01	"	"	1	
R234	ERD25FJ222	2.2 k	"	"	1	S	C17	ECKD1H102ZF	0.001	"	"	1	
R235	ERD25FJ152	1.5 k	"	"	1	S	C20	ECCD1H070DC	7 P	"	"	1	
R242	ERD25FJ333	33 k	"	"	1	S	C21	ECEA1HS100	10	"	Electrolytic	1	S
R243	ERD25FJ123	12 k	"	"	1	S	C22	ECKD1H103MD	0.01	"	Ceramic	1	
R244	ERD25FJ123	12 k	"	"	1	S	C23	ECEA0JS471	470	6.3V	Electrolytic	1	S
R245	ERD25FJ121	120	"	"	1	S	C24	ECKD1H103ZF	0.01	50V	Ceramic	1	
R246	ERD25FJ333	33 k	"	"	1	S	C25	ECEA1CS330	33	16V	Electrolytic	1	S
R247	ERD25FJ151	150	"	"	1	S	C26	ECEALAS470	47	10V	"	1	S
R248	ERD25FJ152	1.5 k	"	"	1	S	C27	ECFVD223MD	0.022	25V	Semi-Conductor	1	
R249	ERD25TJ683	68 k	"	"	1	S	C28	ECEA1HS100	10	50V	Electrolytic	1	S
R311	ERD25FJ1R0	1	"	"	1	S	C29	ECFVD223MD	0.022	25V	Semi-Conductor	1	
R312	ERD25FJ471	470	"	"	1	S	C30	ECCD1H390KC	39 P	50V	Ceramic	1	
R313	ERD25FJ681	680	"	"	1	S	C31	ECFVD223MD	0.022	25V	Semi-Conductor	1	
R314	ERD2FCJ2R2	2.2	2W	"	1	S	C32	ECEA25Z4R7	4.7	"	Electrolytic	1	S
R315,316	ERD25FJ472	4.7 k	1/4W	"	2	S	C33	ECCD1H020C	2 P	50V	Ceramic	1	
R317	ERD25FJ222	2.2 k	"	"	1	S	C35	ECKD1H222MD	0.0022	"	"	1	
R318	ERD25FJ562	5.6 k	"	"	1	S	C36	ECFVD153MD	0.015	25V	Semi-Conductor	1	
R319	ERD25FJ822	8.2 k	"	"	1	S	C37	ECEA50Z1	1	50V	Electrolytic	1	S
R320	ERD25FJ472	4.7 k	"	"	1	S	C38	ECEA1AS101	100	10V	"	1	S
R322	ERD25FJ222	2.2 k	"	"	1	S	C39	ECFVD223MD	0.022	25V	Semi-Conductor	1	
R323	ERD25FJ333	33 k	"	"	1	S	C40	ECEA1HSR22	0.22	50V	Electrolytic	1	
R325	ERD25FJ102	1 k	"	"	1	S	C41	ECEA50ZR47	0.47	"	"	1	S
R326	ERC14GK106	10 M	"	Solid	1	S	C42	ECEA50Z3R3	3.3	"	"	1	S
R328,329	ERD25FJ101	100	"	Carbon	2	S	C43	ECFVD223MD	0.022	25V	Semi-Conductor	1	
R330	ERD25FJ331	330	"	"	1	S	C44	ECFVD333MD	0.033	"	"	1	
R332	ERD25FJ221	220	"	"	1	S	C45	ECFVD223MD	0.022	"	"	1	
R333	ERD25FJ222	2.2 k	"	"	1	S	C46	ECFVD333MD	0.033	"	"	1	
R334	ERD25FJ681	680	"	"	1	S	C47	ECEA1HSR33	0.33	50V	Electrolytic	1	
R335	ERG1ANJP680	68	1W	Metal Oxide	1	S	C48	ECQS2B681JZ	680 P	125V	Styrol	1	
R336,337	ERD25TJ224	220 k	1/4W	Carbon	2	S	C49	ECCD1H680K	68 P	50V	Ceramic	1	
R338	ERD25FJ332	3.3 k	"	"	1	S	C50	ECKD1H331K	330 P	"	"	1	
R339	ERD25FJ471	470	"	"	1	S	C101	ECEA1HSR22	0.22	"	Electrolytic	1	
R341	ERD25FJ102	1 k	"	"	1	S	C102	ECEA1HS0R1	0.1	"	"	1	
R342	ERD25FJ333	33 k	"	"	1	S	C103	ECCD1H101K	100 P	"	Ceramic	1	
R351	ERD25FJ681	680	"	"	1	S	C104	ECEALES220	22	25V	Electrolytic	1	S
R352	ERD25FJ102	1 k	"	"	1	S	C105	ECKD1H471KB	470 P	50V	Ceramic	1	
R353	ERD25FJ103	10 k	"	"	1	S	C106	ECKD1H102MD	0.001	"	"	1	
R354	ERD25TJ104	100 k	"	"	1	S	C107	ECEA50Z1	1	"	Electrolytic	1	S
R355	ERD25FJ153	15 k	"	"	1	S	C108	ECQG05224JZ	0.22	"	Polyester	1	
R367	ERD25FJ152	1.5 k	"	"	1	S	C109	ECKD1H471KB	470 P	"	Ceramic	1	
R374	ERD25FJ221	220	"	"	1	S	C110	ECKD1H222MD	0.0022	"	"	1	
R375	ERD25FJ102	1 k	"	"	1	S	C111	ECEA1HS100	10	"	Electrolytic	1	S
R381	ERD25FJ271	270	"	"	1	S	C112	ECKD1H102ZF	0.001	"	Ceramic	1	
R382,383	ERD25TJ155	1.5 M	"	"	2	S	C113	ECEA50Z1	1	"	Electrolytic	1	S
		CAPACITORS (Value is in MICRO FARADS except P.P=PICO FARADS)					C114	ECEA50ZR47	0.47	"	"	1	S
C1	ECKD1H103MD	0.01	50V	Ceramic	1		C115	ECEA50Z1	1	"	"	1	S
C2	ECKD1H102KB	0.001	"	"	1		C116	ECFVD153MD	0.015	25V	Semi-Conductor	1	
							C117	ECFVD223MD	0.022	"	"	1	
							C118	ECEA1HS0R1	0.1	50V	Electrolytic	1	S

Ref. No.	Part No.	Part Name & Description	Per Set	Remarks	Ref. No.	Part No.	Part Name & Description	Per Set	Remarks
C119	ECKD1H682MD	0.0068 50V Ceramic	1		C238	ECKD1H222MD	0.0022 50V Ceramic	1	
C120	ECFVD473MD	0.047 25V Semi-Conductor	1		C239	ECEA1HSR33	0.33 " Electrolytic	1	
C121	ECEA50Z2R2	2.2 50V Electrolytic	1	S	C305	ECQS2B562JZ	5600 P 125V Styrol	1	
C122	ECKD1H152MD	0.015 " Ceramic	1		C306	ECQG05823KZ	0.082 50V Polyester	1	
C123	ECEA50Z1	1 " Electrolytic	1	S	C307	ECEA1AS221	220 10V Electrolytic	1	S
C124	ECKD1H471KB	470 P " Ceramic	1		C308	ECKD1H472MD	0.0047 50V Ceramic	1	
C125	ECCD1H181K	180 P " "	1		C309,310	ECKD1H222MD	0.0022 " "	2	
C126	ECEA1AS470	47 10V Electrolytic	1	S	C311	ECKD1H472MD	0.0047 " "	1	
C127	ECKD1H222MD	0.0022 50V Ceramic	1		C312	ECEA1AS470	47 10V Electrolytic	1	S
C128	ECKD1H102MD	0.001 " "	1		C313	ECEA50Z1	1 50V " "	1	S
C129	ECEA1AS101	100 10V Electrolytic	1	S	C314	ECEA1AS102	1000 10V " "	1	S
C130	ECEA1AS101	100 " "	1	S	C315	ECEA1HS100	10 50V " "	1	S
C132	ECQG05224MZ	0.22 50V Polyester	1		C317	ECEA1AS102	1000 10V " "	1	S
C133	ECEA1CS222	2200 16V Electrolytic	1	S	C318	ECEA1AS101	100 " "	1	S
C134	ECFVD683MD	0.068 25V Semi-Conductor	1		C319,320	ECKD1H103ZF	0.01 50V Ceramic	2	
C135	ECEA1HS0R1	0.1 50V " "	1		C321	ECEA1CS221	220 16V Electrolytic	1	S
C136	ECQS2B361JZ	360 P 125V Styrol	1		C322	ECEA1CS332	3300 " "	1	S
C137	ECKD1H102MD	0.001 50V Ceramic	1		C323	ECEA1CS221	220 " "	1	S
C138	ECKD1H222MD	0.0022 " "	1		C324	ECKD1H472MD	0.0047 50V Ceramic	1	
C139	ECEA1HSR33	0.33 " Electrolytic	1		C325	ECEA1HSR33	0.33 " Electrolytic	1	
C201	ECEA1HSR22	0.22 " "	1		C326	ECEA50ZR47	0.47 " "	1	S
C202	ECEA1HS0R1	0.1 " "	1		C327	ECEA50Z1	1 " "	1	S
C203	ECCD1H101K	100 P " Ceramic	1		C328	ECEA1HS100	10 " "	1	S
C204	ECEA1ES220	22 25V Electrolytic	1	S	C329	ECEA25Z4R7	4.7 25V " "	1	S
C205	ECKD1H471KB	470 P 50V Ceramic	1		C330	ECKD1H223ZF	0.022 50V Ceramic	1	
C206	ECKD1H102MD	0.001 " "	1		C331	ECEA1ES220	22 25V Electrolytic	1	S
C207	ECEA50Z1	1 " Electrolytic	1	S	C332	ECEA1AS101	100 10V " "	1	S
C208	ECQG05224JZ	0.22 " Polyester	1		C333	ECEA50Z3R3	3.3 50V " "	1	S
C209	ECKD1H471KB	470 P " Ceramic	1		C335	ECCD1H101K	100 P " Ceramic	1	
C210	ECKD1H222MD	0.0022 " "	1		C351	ECEA1CS330	33 16V Electrolytic	1	S
C211	ECEA1HS100	10 " Electrolytic	1	S	C352	ECKD1H102ZF	0.001 50V Ceramic	1	
C212	ECKD1H102ZF	0.001 " Ceramic	1		C353	ECCD1H181K	180 P " "	1	
C213	ECEA50Z1	1 " Electrolytic	1	S	C354	ECEA1HS100	10 " Electrolytic	1	S
C214	ECEA50ZR47	0.47 " "	1	S	C355	ECEA50ZR47	0.47 " "	1	S
C215	ECEA50Z1	1 " "	1	S	C358	ECFVD223MD	0.022 25V Semi-Conductor	1	
C216	ECFVD153MD	0.015 25V Semi-Conductor	1		C371~374	ECKD1H103ZF	0.01 50V Ceramic	4	
C217	ECFVD223MD	0.022 " "	1				CABINET PARTS		
C218	ECEA1HS0R1	0.1 50V Electrolytic	1	S	K1	RYMX5150M8	Front Cabinet Ass'y	1	
C219	ECKD1H682MD	0.0068 " Ceramic	1		K2	RYFX5150M7	Rear Cabinet Ass'y For USA	1	
C220	ECFVD473MD	0.047 25V Semi-Conductor	1		K2	RYFX5150C7	Rear Cabinet Ass'y For Canada	1	
C221	ECEA50Z2R2	2.2 50V Electrolytic	1	S	K2-1	RJT737Z	Terminal, Telescopic Ant	1	
C222	ECKD1H152MD	0.015 " Ceramic	1		K2-2	RJC508Z	Spring, Battery - Side	1	
C223	ECEA50Z1	1 " Electrolytic	1	S	K2-3	RJC111Z	Terminal, Battery + Side	1	
C224	ECKD1H471KB	470 P " Ceramic	1		K2-4	RKX223Z	Handle, Cabinet	1	
C225	ECCD1H181K	180 P " "	1		K2-5	RKX189Z	Arm, Handle	2	
C226	ECEA1AS470	47 10V Electrolytic	1	S	K2-6	RKX184Z	Spacer, Arm	2	
C227	ECKD1H222MD	0.0022 50V Ceramic	1		K2-7	QBP1817	Stopper, Arm	2	
C228	ECKD1H102MD	0.001 " "	1		K2-8	XTB3+8BFN	Screw, Handle M'tg	2	S
C229	ECEA1AS470	47 10V Electrolytic	1	S	K3	RYPX5150M	Cassette Panel Ass'y	1	
C230	ECEA1AS101	100 " "	1	S	K4	RYNX5150M7	Battery Cover Ass'y	1	
C232	ECQG05224MZ	0.22 50V Polyester	1		K5	XEARR345CAN	Telescopic Ant	1	
C233	ECEA1CS222	2200 16V Electrolytic	1	S	K6	RBN567Y	Knob, Tuning	1	
C234	ECFVD683MD	0.068 25V Semi-Conductor	1		K7	RBN568Z	Knob, Volume	4	
C235	ECEA1HS0R1	0.1 50V Electrolytic	1		K8	RBS181Y	Knob, Switch	5	
C236	ECQS2B361JZ	360 P 125V Styrol	1		K9	XWG3F13	Washer, R/P Lever	2	S
C237	ECKD1H102MD	0.001 50V Ceramic	1						

Ref. No.	Part No.	Part Name & Description	Per Set	Remarks	Ref. No.	Part No.	Part Name & Description	Per Set	Remarks
K10	XTN3+16B	Screw, R/P Lever M'tg	2		P3	RPK1158Z	Gift Box For Canada	1	
K11	XTB3+50CFN	Screw, Cabinet M'tg	7		P4	RPN3403Z	Pad	1	
K12	XYN3+F15FY	Screw, Telescopic Ant	1				PRINTED MATERIALS		
		ELECTRICAL PARTS			Y1	RQX6746Z	Instruction Book For USA	1	
E1	RZAX5150N	Dial Chassis Ass'y	1		Y1	RQX6756Z	Instruction Book For Canada	1	
E2	RZUX5150N	Dial Bracket Ass'y	1						
E3	RHG1038Z	Cover, LED	1						
E4	RUV387Z	Cover, Voltage Selector	1	⚠					
E5	RJS171Z	Socket, 2 Pin	1						
E6	QJS0784JN	Socket, 3 Pin	1						
E7	RJS216Y	Socket, 4 Pin	1						
E8	RJS253Y	Socket, 3 Pin	1						
E9	RJS112Y	Socket, 6 Pin	1						
E10	QJS0778JN	Socket, 6 Pin	1						
E11	RJT462Z	Terminal, Socket	17						
E12	RJT202B	Terminal, Earth	3						
E13	QJT1042	Terminal, Socket	9						
E14	RJP213Z	Plug, 2 Pin	1						
E15	RJP137Z	Plug, 3 Pin	3						
E16	RJP107Z	Plug, 4 Pin	1						
E17	RUV628Z	Cover, Switch	5						
E18	RJP142Z	Plug, 6 Pin	2						
E19	RBC335Y	Button, Loudness, TPS	2						
E20	RUV603Z	Cover, AC IN Jack	1	⚠					
E21	RDD655Z	Drum, Dial	1						
E22	RDS4170A	Spring, Dial	1						
E23	RDR20-3	Pulley, Dial	2						
E24	RDR17Z	Pulley, Dial	2						
E25	RDY3252Z	Shaft, Tuning	1						
E26	RDZ05Z	Cord, Dial	1						
E27	RNW150-2	Washer, Pulley	4						
E28	RKD577Y	Scale, Dial	1						
E29	RDP828Z	Pointer, Dial	1						
E30	RHR431Z	Cover, Mic	2						
E31	RJML49Z	Microphone	2						
E32	RJC511Z	Spring, Battery - Side	1						
E33	RMC228A	Shield Cover	1						
E34	RMY161Z	Heat Sink	2						
E35	RMP159Z	Holder, LED	1						
E36	XSN3+8S	Screw, Chassis M'tg	7	S					
E37	XWG3	Washer	7	S					
E38	XWA3B	Washer	2	S					
E39	XSN26+8	Screw, Drum M'tg	1	S					
E40	XWA26B	Washer	1	S					
E41	XTW3+12F	Screw, Deck M'tg	4						
E42	XTW3+16F	Screw, Transformer M'tg	2						
E43	XNS8D	Nut, Tuning Shaft M'tg	1						
		ACCESSORY							
	RJA22Y	Power Cord, AC	1	⚠					
		PACKING MATERIALS							
P1	XZB70X50A04	Polyethylene Cover	1	S					
P2	RPN9365Z	Pad Complete	1						
P3	RPK1145Z	Gift Box For USA	1						